



BEFORE THE FIRST USING YOUR ELECTRIC STORAGE WATER HEATER, CAREFULLY READ THIS OPERATION MANUAL

EN

DEAR CUSTOMER!

Congratulations on your purchase of an electric water heater THERMEX.

Waterheaters THERMEX are designed and manufactured in strict accordance with domestic and international standards guaranteeing operation reliability and safety.

Present manual applies to THERMEX models of IF (comfort) Wi-Fi. The full name of the model of your heater is specified in "Manufacturer's warranty" section (sub-section "Note of sale") and in the marking plate on the heater casing.

1. APPLICATION

Electric water heater (hereinafter referred to as the EWH) is designed to provide with hot water for domestic and industrial facilities having a cold water supply line pressure of not less than 0.05 MPa and not more than 0.7 MPa.

EWH shall be operated indoors in heated spaces and it is not designed for operation in continuous flow mode.

2. SCOPE OF SUPPLY

Water heater	- 1 pcs.
Safety valve of GP type	- 1 pcs.
Operation manual	- 1 pcs.
Anchors for fastening (option)	- 1 set
Packaging	- 1 pcs.

3. MAIN TECHNICAL CHARACTERISTICS

EWH power supply shall be within the range of 230 V \pm 10%. Supply network frequency 50 Hz \pm 1%. Volume of the inner tank and heating element power are specified in the marking plate on the casing. Thread diameter in water inlet and outlet pipes - G1/2 ".

The manufacturer reserves the right to make changes to the design, complete set and specifications of the heater without prior notice.

Model	EWH useful volume, l	Average heating time $T = 45^{\circ} \text{C}$ at 2 kW	Installation
IF 30 V (comfort) Wi-Fi	25	0 h 39 min.	vertical
IF 50 V (comfort) Wi-Fi	42	1 h 06 min.	vertical
IF 80 V (comfort) Wi-Fi	67	1 h 45 min.	vertical
IF 100 V (comfort) Wi-Fi	84	2 h 12 min.	vertical
IF 50 H (comfort) Wi-Fi	42	1 h 06 min.	horizontal
IF 80 H (comfort) Wi-Fi	67	1 h 45 min.	horizontal

4. DESCRIPTION AND PRINCIPLE OF OPERATION

The outside casing of the EWH is made of impact-resistant plastic. Inner tanks have a special bio-glass-porcelain coating reliably protecting the inner surface against chemical corrosion. The space between the outside casing and the inner tank is filled with polyurethane foam - a modern, ecologically clean thermal insulation, which has the best heat-saving characteristics. IF (comfort) Wi-Fi models have two screwed nozzles: for inlet of cold water (Figure 1, p. 3) with a blue ring and for outlet of hot water (Figure 1, p. 2) — with a red ring, and equipped with an additional drain connection (closed with metal plug button) for draining the water and flushing the inner tank (Figure 1, p. 17). The control panel, in all models, is on the front side of the EWH. (Figure 1, p. 16).

Tubular heating element (THE), thermostat and thermal switch sensors are mounted on the removable flange. THE is used to heat water and thermostat provides with possibility of heating temperature regulation up to $+65^{\circ}\text{C}$. All models have electronic control with sensor adjustment. Electronics maintain automatically water temperature at the level set by the user. The thermostat is used for protecting against EWH overheating, which disconnects THE from power supply when water temperature exceeds 95°C . (Fig. 3).

Safety valve (Fig. 1, p. 5) operates as the check valve, ensuring protection of the water ingress from the water heater into the sewage system in case of pressure drop in the sewage system and in case of pressure rise in the tank at high water heating, as well as the functions of the safety valve, releasing overpressure in the tank at high water heating. During water heater operation water may leak out of the exhaust outlet pipe of the safety valve to relieve excessive pressure, which is made for the purpose of water heater safety. This outlet pipe shall remain open to the atmosphere and be installed constantly down.

Drainage of water from the safety valve exhaust pipe into the drain shall be provided with installation of the corresponding EWH drainage.

It is required regularly (at least once a month) to discharge a small amount of water through the exhaust pipe of the safety valve into the drain to remove lime deposits and

to test the operating functionality of the valve. Handle (Fig. 1, p. 15) is intended to open the valve. It is necessary to control when operating water heater this handle to be in position closing water draining from the tank.

5. SPECIFYING SECURITY MEASURES

Electrical safety and corrosion protection of EWH are guaranteed only if there is an effective grounding in accordance with applicable electric installation rules and regulations.

Plumbing pipes and fittings shall conform to parameters of water main and have the required certificates of quality.

When installing and operating EWH the following is not allowed:

- To power EWH if EWH is not filled with water.
- To remove the protective cover when the power is on.
- Use EWH without grounding or use water pipes as grounding.
- To connect EWH to water supply with pressure exceeding 0.7 MPa.
- To connect EWH to the water supply without safety valve.
- To drain water from EWH with power switched on.
- To use spare parts not recommended by the manufacturer.
- To use water from the EWH for cooking.
- To use water containing impurities (sand, small stones), which might lead to EWH and safety valve breakdown.
- To modify design and installation dimensions of EWH brackets.

Ambient temperature shall be within the range of 3°C to 40°C. Water in freezing EWH at negative temperatures results in malfunction, which is not a warranty case.



Attention should be paid to children so that they do not play with EWH. EWH is not intended for use by persons (including children) with limited physical, sensory or mental capabilities, or by persons who do not know how to use the EWH, except for cases when this happens under the supervision or instructions by persons responsible for safety of the EWH.

During EWH operation, it shall be inspected regularly for proper health (absence of dripping, burning smell, wiring sparks, etc.). In the case of long interruptions in water heater operation, water supply failures, EWH shall be disabled and cold water inlet valve shall be shut off.

6. INSTALLATION AND CONNECTION

All installation, plumbing and electrical works shall be performed by qualified personnel.

7. ARRANGEMENT AND INSTALLATION

All installation, plumbing and electrical works shall be performed by qualified personnel.

EWH installation shall be performed in accordance with marking on the housing.

It is recommended to install EWH as close as possible to the place of hot water using to reduce heat loss in the pipes.

When choosing the place of installation it should be taken into account the total weight of EWH filled with water. Walls and floor with low carrying capacity should be strengthened accordingly. When drilling (making) holes in the wall consider cables, ducts and pipes in the wall.

EWH is suspended by brackets on hook anchors fixed in the wall. Hooks mounting on the wall shall exclude spontaneous movement of EWH brackets along them.

The manufacturer bears no liability for EWH falling associated with improper installation of anchors and their selection.

For EWH maintenance the distance from the protective cover to the nearest surface in the direction of the removable flange axis shall be at least 30 cm for all models.



In order to avoid damage of the user's and/or third parties' property in the event of a faulty hot water system, it is required to install EWH in spaces with waterproofing and drainage to the sewers, and in no case to place under items exposed to the water under EWH. When placed in unprotected areas a protective plate (not supplied) with drainage into sewers shall be installed under the EWH.

In case of placing EWH in hard-to-reach places in order to perform maintenance and warranty service (mezzanine floors, niches, ceiling voids, etc.), installation and dismantling of EWH is carried out by the user on his own or for his own account.

Note: safety tray is not included into the scope of EWH supply.

8. CONNECTION TO WATER MAINS

Cold water shall be supplied to EWH using pre-filter with water treatment level not less than 200 µm.

Install pressure relief valve (fig. 1, p.5) at the cold water inlet (fig. 1, p. 3) tube with the blue ring, by 3.5-4 turnings, ensuring junction tightness with any sealing material (flax, FUM tape, etc.).

During EWH operation you can observe water leak out of the outlet pipe of the safety valve for excessive pressure release to ensure safety of the water heater. It is recommended to connect to a drainage hole a rubber or silicone pipe of the relevant diameter for moisture removal.

Connection to the water supply line shall be carried out in accordance with Fig. 1 using copper, plastic pipes or special flexible sanitary wiring. Do not use any used flexible wiring. It is recommended to supply water to EWH through filter installed on the cold water main (not included in the scope of supply).



Do not use used flexible feed pipes. Do not operate the EWH without safety valve or with valve made by other manufacturers.

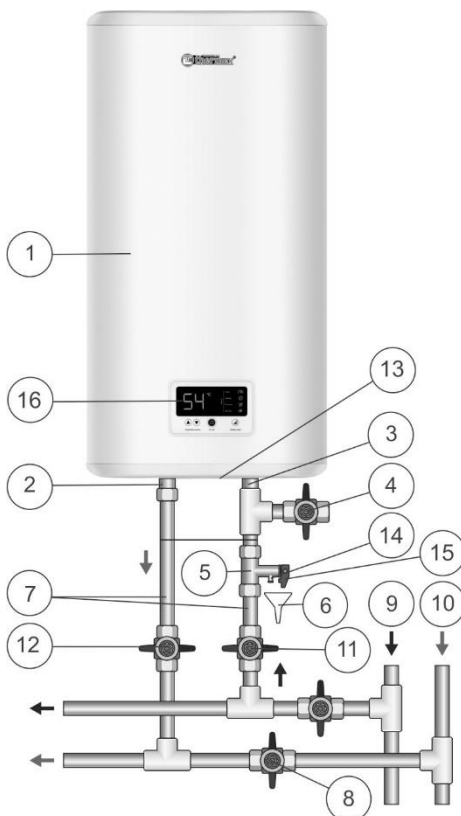


Figure 1. EWH connection diagram to water supply

Figure 1: 1 – EWH, 2 – hot water pipe, 3 – cold water pipe, 4 – drain valve (not in the scope of supply), 5 – safety valve, 6 – drainage (not in the scope of supply), 7 – feed pipe, 8 – shut off valve when EWH operation, 9 – cold water main, 10 – hot water main, 11 – cold water shut-off valve, 12 – hot water shut-off valve, 13 – protective cover, 14 – exhaust pipe of the safety valve, 15 – handle for opening pressure relief valve, 16 – control panel.

After connecting EWH make sure that cold water shut-off valve is open and hot water shut-off valve (8) is closed. Open cold water tap in EWH (11), hot water outlet valve (12) and hot water tap on mixer to ensure outflow of air from the EWH. When the final EWH filling, water will continuously flow out of mixer tap. When connecting EWH in places not provided with water supply it is permitted to supply water in EWH from auxiliary tank using pumping station, or from reservoir placed at a height of not less than 5 meters over the top of EWH.

Note: for ease of maintenance during EWH operation it is recommended to install drain valve (Fig. 1, p.4) in accordance with Fig. 1 (for models not equipped with drainage pipe. (not in the scope of EWH supply)).

If the water pressure exceeds 0.7 MPa, at EWH cold water inlet, before the safety valve (in the direction of water flow), the appropriate pressure reducing valve (not supplied with the EWH) shall be installed to reduce water pressure to standard.

9. CONNECTION TO POWER SUPPLY

Prior to the water heater connection to electrical network, make sure its parameters complies with the technical specifications of the water heater.

ATTENTION! Prior to power activation make sure EWH is filled with water!

Water heater shall be earthed to ensure safe operation. EWH is equipped with the stationary power cable (option) with Europlug (option). Power outlet shall have an earth terminal with the connected earthing wire and located in the area protected from moisture, or comply with the requirements not less than IPX4.

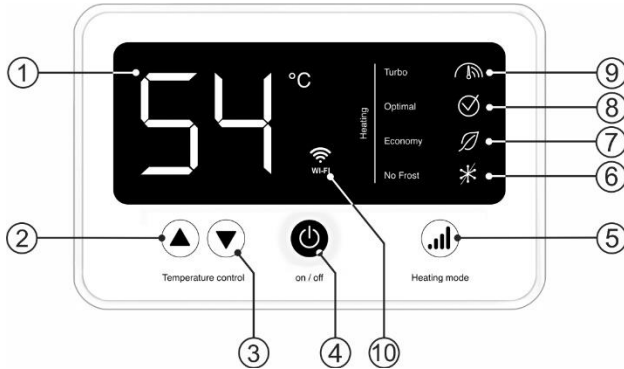


Figure 2. Electronic control board

Figure 2: 1 – LCD display, 2 – button «▲» Temperature control / increasing the heating temperature, 3 – button «▼» Temperature control / decreasing the heating temperature, 4 – button «on/off» / switch on/switch off, 5 – button «Heating mode» / setting the heating power, 6 – “No Frost” mode indication, 7 – indication «Economy» / minimum power, 8 – indication «Optimal» / conventional power, 9 – indication «Turbo» / maximum power, 10 – Wi-Fi feature.

Switching on/switching off of the EWH is performed by pressing the central button «on/off» (Figure 2, p. 4), while the display shows the preselected heating temperature. After 2.5 seconds, the display shows the current water temperature in the EWH. Selection of the heating power is performed by pressing the button «Heating mode» (Figure 2, p. 5), on the control panel. Mode 2 kW is accompanied by the indication of a control lamp «Turbo» (Figure 2, p. 9), 1,3 kW is accompanied by the indication of a control lamp «Optimal» (Figure 2, p. 8), and 0,7 kW is accompanied by the indication of a control lamp «Economy» (Figure 2, p. 7). Antifreeze mode is accompanied by the indication of a control lamp «No Frost» (Figure 2, p.6).

During the operation of the EWH, the user can adjust the temperature of the water heating using two buttons «▲» «▼» Temperature control (Figure 2, p. 2 and p. 3).

If you do not use the EWH in the winter time and there is a possibility of freezing of the main waterways and the water heater itself, it is recommended to turn off the power and drain the water from the EWH in order to avoid damage to the inner tank.

For control from a mobile device water heater has Wi-Fi function.

1. Install app “Thermex Home” from GooglePlay or AppStore. Create an account.
2. On water heater panel press and hold buttons 2 and 3 together (Fig. 2). Appears Wi-Fi indication (Fig. 2, p. 10).
3. In application “Thermex Home”:

- click Add Device
- from the drop list, select Water Heater
- next follow the instructions of application.

Failures:

- make sure Wi-Fi function is enabled on your mobile device
- make sure you are connected to the Internet
- or contact your provider.

11. TECHNICAL MAINTENANCE

When performing maintenance scale on THE is checked. At the same time residue that may accumulate in the bottom of the EWH is removed. If there is scale on THE, it can be removed by using scale removing means or mechanically. It is recommended to hold the first technical maintenance after a year from the time of connection by experts of a specialized organization and depending on intensity of scale and residue to determine intervals of follow-up maintenance. This action will extend the maximum EWH service life.

The first replacement of the magnesium anode shall be made no later than 12 months from the date of EWH installation. In case of no mark of installation in warranty certificate with the seal of installation company, the period is calculated from the date of purchase. Regular periodic maintenance and annual replacement of the magnesium anode in time is imperative to maintain the manufacturer's warranty. Replacement of the anode must be accompanied by a mark in the warranty card in case of replacement by a service organization, or an attached sales receipt for its purchase in case of replacement by the owner.



ATTENTION: accumulation of scale on TEH may cause its damage .

Note: Damages to THE due to scale formation are not subject to warranty. Regular maintenance is not included in the warranty of the manufacturer and the seller.

The following shall be carried out for maintenance:

- Turn off EWH power;
- Cool hot water or discharge it through the mixer;
- Cut off supply of cold water into EWH;
- Unscrew the relief valve or open drain valve;
- To put on the cold water supply inlet or discharge valve a rubber hose, sending the other end down the drain;
- Open hot water tap on mixer and drain water from the EWH through the hose;
- Remove the protective cover, disconnect wires, unscrew and remove from the casing the removable flange;

- Clean if necessary THEs from scale and remove residue from the tank;
- Assemble, fill the EWH with water and power on.

In models with drain pipe, it is enough to cut off the flow of cold water into the EWH, unscrew the drain stub on drain pipe and open hot water tap. Once the water is discharged, you can open for a while cold water supply in EWH for additional tank washing.

When conducting EWH maintenance by forces of specialized organization mark with the seal of organization performing maintenance shall be made in service coupon.

12. POSSIBLE FAULTS AND REMEDIES.

Malfunction	Possible cause	How to fix
Hot water pressure from EWH decreased. Cold water pressure keeps at the level.	Clogged inlet safety valve	Remove the valve and clean it in water
Heating time increased	THE is covered with a layer of sludge	Remove the flange and clean the THE
	Supply voltage decreased	Contact power main operation service
Frequent tripping of thermal switch	The set temperature is close to the limit	Set lower value of water heating temperature
	Thermostat tube is covered with sludge	Take out the EWH the removable flange and gently clean the tube from scale
EWH operates but is not heating water	Valve (Fig. 1, p.8) is not closed or out of order	Close or replace the valve (Fig. 1, p. 8)

<p>Powered EWH does not heat water. No backlights of indicator lamps.</p>	<p>1) no voltage in electric network; 2) damaged power cord. 3) Thermal switch actuated and not switched on</p>	<p>1) Check voltage at the electrical outlet; 2) Contact a qualified service center. 3) Disconnect from the power supply, remove EWH protective cover, press the button on thermal switch until you hear a click (fig. 2) install the cover and turn on the power</p>
---	---	---

These faults are not defects of EWH and shall be fixed by the consumer or by a specialized organization at his own expense.

In case of failure to fix problems using the above recommendations or in case of others problems revealing you should contact the authorized service center listed in the operation manual.

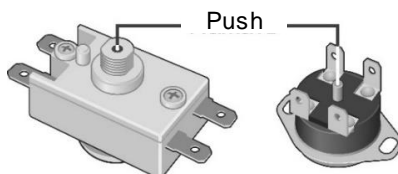


Figure 2. Thermal switch arrangement diagram

13. TRANSPORTATION AND STORAGE OF ELECTRIC WATER HEATERS

Transportation and storage of electric water heaters shall be carried out in accordance with manipulation marks on the packaging:



– need to protect the goods from moisture



– fragile, delicate handling



– recommended storage temperature range from +10° to +20° C



– correct vertical position of cargo;

14. DISPOSAL

When complying with the rules of EWH installation, operation and maintenance and when water quality complying with current standard the manufacturer sets EWH lifespan of 9 years from the date of purchase.

All parts of the heater are made of materials allowing, where appropriate, environmentally sound disposal which must be made in accordance with the rules and regulations of the country where the water heater is operated.

When disposing of the EWH comply with local environmental laws and guidelines.

The manufacturer reserves the right to make changes to the design and specifications of the heater without prior notice.

15. MANUFACTURER'S WARRANTY

The manufacturer sets 2 years as the period of warranty for water heater.

The warranty period is calculated from the date of EWH sale. If there is no or corrected date of sale and shop stamp, the warranty period is calculated from the date of EWH manufacture. Claims within the warranty period are accepted only on presentation of the warranty card with marks of the seller, and the identification plate on the casing of the EWH. Release date of a water heater is encoded in a unique serial number, located on the identification plate on the casing. EWH serial number consists of thirteen digits. The third and fourth digits of the serial number are year of manufacture, the fifth and sixth digits - month of release, the seventh and eighth digits - day of EWH release. Claims within the warranty period are accepted only on presentation of the guarantee card with marks of the seller, and the identification plate on the casing of the EWH.

The warranty shall apply to EWH only. Responsibility for compliance with principles of installation and connection shall be borne by the buyer (in case of connection by his own) or by the installer carrying out connection.

The first replacement of the magnesium anode shall be made no later than 12 months from the date of EWH installation. In case of no mark of installation in warranty certificate with the seal of installation company, the period is calculated from the date of purchase. Regular periodic maintenance and annual replacement of the magnesium anode in time is imperative to maintain the manufacturer's warranty. Replacement of the anode must be accompanied by a mark in the warranty card in case of replacement by a service organization, or an attached sales receipt for its purchase in case of replacement by the owner.

The manufacturer shall not be liable for defects due to violations of principles of installation, operation and maintenance of EWH set forth herein, including in cases where these defects have arisen due to invalid parameters of mains (electricity and water), where EWH is operated, and due to the intervention of a third party. Manufacturer's warranty does not cover claims for appearance of EWH.

16. INFORMATION ON THE MANUFACTURER**Manufacturer:****THERMEX heating Technology (Jiangmen) CO., Ltd**

No. 51, Jianshedonglu , Taoyuan town, Heshan City, Guangdong Province, China

ZIP: 529725

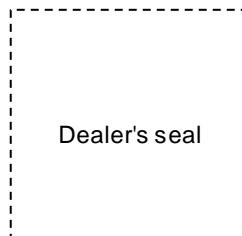
All models have been certified and comply with requirements of European Directives.

NOTE OF SALE

Model _____ Serial No. _____

Date of sale _____, 20 _____.

Dealer: _____

Dealer's representative
signature _____

The product is completed; I have no claims for the appearance of the product.
Operation manual with the necessary marks is received. I have read, understood and
accepted operation rules and warranty terms.

Customer's signature: _____



ПЕРЕД ПЕРВЫМ ИСПОЛЬЗОВАНИЕМ ВОДОНАГРЕВАТЕЛЯ ВНИМАТЕЛЬНО ПРОЧИТАЙТЕ НАСТОЯЩЕЕ РУКОВОДСТВО ПО ЭКСПЛУАТАЦИИ

RU

УВАЖАЕМЫЙ ПОКУПАТЕЛЬ!

Поздравляем Вас с приобретением электроводонагревателя THERMEX. Выражаем уверенность в том, что широкий ассортимент наших электроводонагревателей удовлетворит любые Ваши потребности. Применение современных технологий и материалов высочайшего качества при изготовлении приборов определили популярность и доверие к торговой марке THERMEX. Наши электроводонагреватели опционно снабжены устройством защитного отключения (УЗО), обеспечивающим Вам полную электробезопасность при эксплуатации.

Электроводонагреватели THERMEX разработаны и изготовлены в строгом соответствии с международными стандартами, гарантирующими надежность и безопасность эксплуатации.

Настоящее руководство распространяется на модели THERMEX серии IF (comfort) Wi-Fi. Наименование модели приобретенного Вами водонагревателя указано в разделе «Гарантии изготовителя» (подраздел «Отметка о продаже») и в идентификационной табличке на корпусе прибора.

1. НАЗНАЧЕНИЕ

Электроводонагреватель (далее по тексту ЭВН) предназначен для обеспечения горячей водой бытовых и промышленных объектов, имеющих магистраль холодного водоснабжения с необходимыми параметрами.

ЭВН должен эксплуатироваться в закрытых отапливаемых помещениях и не предназначен для работы в непрерывно проточном режиме.

Электроводонагреватель (далее по тексту - ЭВН) предназначен для обеспечения горячей водой бытовых и промышленных объектов, имеющих водопровод холодной воды с давлением не менее 0,05 МПа и не более 0,7 МПа.

2. КОМПЛЕКТ ПОСТАВКИ

Электроводонагреватель	- 1 шт.
Предохранительный клапан типа GP	- 1 шт
Руководство по эксплуатации	- 1 шт
Комплект анкеров для крепежа	- 1 комплект
Упаковка	- 1 шт

3. ОСНОВНЫЕ ТЕХНИЧЕСКИЕ ХАРАКТЕРИСТИКИ

Напряжение питания всех типов и моделей ЭВН должно находиться в пределах $230 \text{ В} \pm 10\%$. Частота питающей электросети $50 \text{ Гц} \pm 1 \%$. Объем внутреннего бака и мощность нагревательного элемента указаны в идентификационной таблице на корпусе прибора. Диаметр резьбы патрубков входа и выхода воды – $G1/2''$.

Изготовитель оставляет за собой право на внесение изменений в комплектацию, конструкцию и характеристики водонагревателя без предварительного уведомления.

Таблица 1

Объем ЭВН, л	Усредненное время нагрева на $\Delta T=45^\circ\text{C}$ при мощности 2 кВт
25	0 ч. 39 мин.
42	1 ч. 06 мин.
67	1 ч. 45 мин.
84	2 ч. 12 мин.

4. ОПИСАНИЕ И ПРИНЦИП ДЕЙСТВИЯ ЭВН

Внешний корпус ЭВН выполнен из ударопрочного пластика. Внутренние баки имеют специальное покрытие биостеклофарфор, надежно защищающее внутреннюю поверхность от химической коррозии. Пространство между внешним корпусом и внутренним баком заполнено пенополиуретаном - современной, экологически чистой теплоизоляцией, обладающей наилучшими характеристиками теплосбережения. Модели IF (comfort) Wi-Fi имеют два резьбовых патрубка: для входа холодной воды (Рис. 1, п. 3) с синим кольцом и выхода горячей воды (Рис. 1, п. 2) - с красным кольцом, и оборудованы дополнительным дренажным патрубком (закрыт металлической заглушкой) для слива воды и промывки внутреннего бака (Рис. 1, п. 17). На лицевой стороне ЭВН, во всех моделях, находится панель управления (Рис. 1, п. 16).

На съемном фланце смонтированы трубчатый электронагреватель (ТЭН) и датчики термостата и термовыключателя. ТЭН служит для нагрева воды и управляется термостатом, который имеет плавную регулировку температуры до $+65^\circ\text{C}$. Все модели имеют электронное управление с сенсорной регулировкой. Электроника автоматически поддерживает температуру воды на уровне, установленном пользователем. Термовыключатель служит для предохранения ЭВН от перегрева и отключает ТЭН от сети при превышении температуры воды свыше $+95^\circ\text{C}$ (Рис. 3).

На электрическом шнуре прибора опционно смонтировано УЗО (опционно), обеспечивающее отключение ЭВН от сети электропитания при утечке или пробое напряжения питания на заземленные элементы прибора.

Предохранительный клапан (Рис. 1, п. 5) выполняет функции обратного клапана, препятствуя попаданию воды из водонагревателя в водопроводную сеть в случаях падения в последней давления и в случаях возрастания давления в баке при сильном нагреве воды, а также функции защитного клапана, сбрасывая избыточное давление в бак при сильном нагреве воды. Во время работы водонагревателя вода может просачиваться из выпускной трубы предохранительного клапана для сброса излишнего давления, что происходит в целях безопасности водонагревателя. Эта выпускная труба должна оставаться открытой для атмосферы и быть установлена постоянно вниз и в незамерзающей окружающей среде.

Необходимо обеспечить отвод воды из выпускной трубы предохранительного клапана (Рис. 1, п. 14) в канализацию, предусмотрев при монтаже ЭВН соответствующий дренаж (Рис. 1, п. 6).

Необходимо регулярно (не реже одного раза в месяц) проводить слив небольшого количества воды через выпускную трубу предохранительного клапана в канализацию для удаления известковых осадков и для проверки работоспособности клапана. Для открывания клапана он снабжен ручкой (Рис. 1, п. 15). Необходимо следить, чтобы во время работы ЭВН эта ручка находилась в положении, закрывающем слив воды из бака.

5. УКАЗАНИЯ МЕР БЕЗОПАСНОСТИ

Электрическая безопасность ЭВН гарантирована только при наличии эффективного заземления, выполненного в соответствии с действующими правилами монтажа электроустановок.

Сантехническая подводка и запорная арматура должны соответствовать параметрам водопроводной сети и иметь необходимые сертификаты качества.

При монтаже и эксплуатации ЭВН не допускается:

- подключать электропитание, если ЭВН не заполнен водой;
- снимать защитную крышку при включенном электропитании;
- использовать ЭВН без заземления;
- включать ЭВН в водопроводную сеть с давлением больше 0,7 МПа;
- подключать ЭВН к водопроводу без предохранительного клапана;
- сливать воду из ЭВН при включенном электропитании;
- использовать запасные части, не рекомендованные Производителем;
- использовать воду из ЭВН для приготовления пищи;
- использовать воду, содержащую механические примеси (песок, мелкие камни), которые могут привести к нарушению работы ЭВН и предохранительного клапана.
- изменять конструкцию и установочные размеры кронштейнов ЭВН.

Температура окружающей среды, в которой эксплуатируется ЭВН, должна находиться в пределах от 3°C до 40°C. Замерзание воды в ЭВН при отрицательных

температурах приводит к выходу его из строя, что не является гарантийным случаем.



Следует обращать внимание детей на то, чтобы они не играли с ЭВН. ЭВН не предназначен для эксплуатации лицами (включая детей) с ограниченными физическими, осязательными или психическими способностями, а также лицами, не умеющими пользоваться ЭВН, за исключением случаев, когда это происходит под наблюдением или согласно инструкциям от лиц, отвечающих за безопасность ЭВН.

6. УСТАНОВКА И ПОДКЛЮЧЕНИЕ

Все монтажные, сантехнические и электромонтажные работы должны проводиться квалифицированным персоналом.

7. РАЗМЕЩЕНИЕ И УСТАНОВКА

Установка ЭВН производится в соответствии с маркировкой, указанной на корпусе, и следующей таблицей:

Маркировка	Объем	Размещение
IF 30 V (comfort) Wi-Fi	25 литров	V - вертикальное, патрубки вниз
IF 50 V (comfort) Wi-Fi	42 литров	V - вертикальное, патрубки вниз
IF 80 V (comfort) Wi-Fi	67 литров	V - вертикальное, патрубки вниз
IF 100 V (comfort) Wi-Fi	84 литров	V - вертикальное, патрубки вниз
IF 50 H (comfort) Wi-Fi	42 литров	H - горизонтальное, патрубки вниз
IF 80 H (comfort) Wi-Fi	67 литров	H - горизонтальное, патрубки вниз

Рекомендуется устанавливать ЭВН максимально близко от места использования горячей воды, чтобы сократить потери тепла в трубах.

При сверлении (выполнении) отверстий в стене, следует учитывать проходящие в ней кабели, каналы и трубы. При выборе места монтажа необходимо учитывать общий вес ЭВН заполненного водой. Стену и пол со слабой грузоподъемностью необходимо соответственно укрепить.

ЭВН подвешивается за кронштейны корпуса на крюки анкеров, закрепляемые в стене. Монтаж крюков в стене должен исключать самопроизвольное перемещение по ним кронштейнов ЭВН.

Для обслуживания ЭВН расстояние от защитной крышки до ближайшей поверхности в направлении оси съемного фланца должно быть не менее 30 сантиметров - для всех моделей;



ВНИМАНИЕ! Во избежание причинения вреда имуществу потребителя и (или) третьих лиц в случае неисправностей системы горячего водоснабжения, необходимо производить монтаж ЭВН в помещениях, имеющих гидроизоляцию полов и дренаж в канализацию, и ни в коем случае не размещать под ЭВН предметы, подверженные воздействию воды. При размещении ЭВН в незащищенных помещениях необходимо установить под ЭВН защитный поддон с дренажем в канализацию.

В случае размещения ЭВН в местах, труднодоступных для проведения технического и гарантийного обслуживания (антресоли, ниши, межпотолочные пространства и т.п.) демонтаж и монтаж ЭВН осуществляется потребителем самостоятельно, либо за его счет.

Примечание: защитный поддон не входит в комплект поставки ЭВН.

8. ПОДКЛЮЧЕНИЕ К ВОДОПРОВОДУ

Установить предохранительный клапан (Рис. 1, п. 5) на входе холодной воды (Рис. 1, п. 3), помеченном синим кольцом, закрутив на 3,5 - 4 оборота, обеспечив герметичность соединения любым уплотнительным материалом (льном, лентой ФУМ и др.).



Запрещается эксплуатировать ЭВН без предохранительного клапана или использовать клапан других производителей.

Во время эксплуатации ЭВН вы можете наблюдать появление капель из дренажного ключика предохранительного клапана (сброс излишнего давления при нагреве воды). Рекомендуется присоединить к дренажному ключику резиновую или силиконовую трубку соответствующего диаметра для отвода влаги.

Подключение к водопроводной системе производится в соответствии с Рис. 1 только при помощи медных, металлопластиковых или пластиковых труб, а также специальной гибкой сантехподводки. Запрещается использовать гибкую подводку бывшую ранее в употреблении. Рекомендуется подавать воду в ЭВН через фильтр-грязевик, установленный на магистрали холодной воды (не входит в комплект поставки).

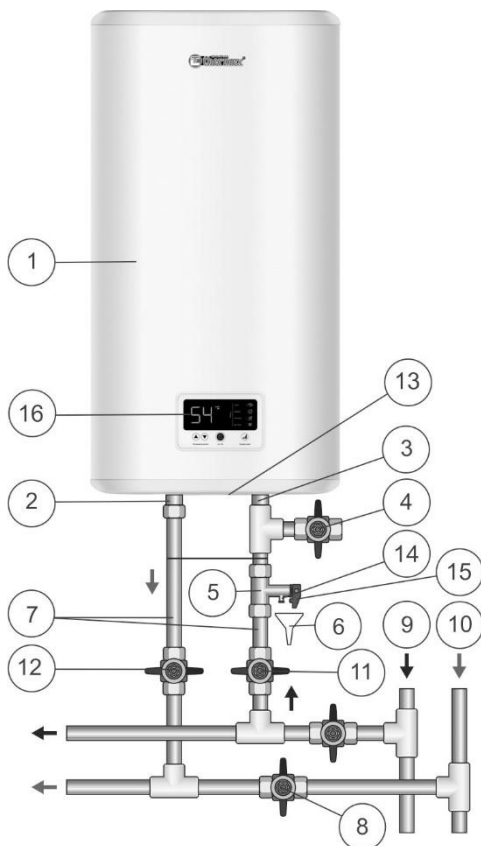


Рисунок 1. Схема подключения ЭВН к водопроводу

Рисунок 1: 1 – ЭВН, 2 – патрубок горячей воды, 3 – патрубок холодной воды, 4 – сливной вентиль, 5 – предохранительный клапан, 6 – дренаж в канализацию, 7 – подводка, 8 – перекрыть вентиль при эксплуатации ЭВН, 9 – магистраль холодной воды, 10 – магистраль горячей воды, 11 – запорный вентиль холодной воды, 12 – запорный вентиль горячей воды, 13 – защитная крышка, 14 – выпускная труба предохранительного клапана, 15 – ручка для открывания предохранительного клапана, 16 – панель управления.

После подключения откройте вентиль подачи холодной воды (Рис. 1, п. 11) в ЭВН, кран выхода горячей воды из ЭВН (Рис. 1, п. 12) и кран горячей воды на смесителе, чтобы обеспечить отток воздуха из водонагревателя. При конечном заполнении ЭВН из крана смесителя непрерывной струей потечет холодная вода. Закройте кран горячей воды на смесителе.

При подключении ЭВН в местах, не снабженных водопроводом, допускается подавать воду в ЭВН из вспомогательной емкости, размещённой на высоте не менее 5 метров от верхней точки ЭВН, или с использованием насосной станции.

Примечание: для облегчения обслуживания ЭВН в процессе эксплуатации рекомендуется установка сливного вентиля (Рис. 1, п. 4) в соответствии с рис. 1 (для моделей, не оборудованных сливным патрубком (не входит в комплект поставки ЭВН)).

Если давление в водопроводе превышает 0,7 МПа, то на входе перед ЭВН необходимо установить редукционный клапан (не входит в комплект поставки ЭВН) для снижения давления воды до нормы.

9. ПОДКЛЮЧЕНИЕ К ЭЛЕКТРОСЕТИ



ВНИМАНИЕ! Перед включением электропитания убедитесь, что ЭВН заполнен водой.

ЭВН оборудован штатным шнуром электропитания с вилкой.

Розетка должна иметь клемму заземления и располагаться в месте, защищенном от влаги.

Розетка и подведенная к ней электропроводка должны быть рассчитаны на номинальную мощность не менее 2000Вт.

Вставить вилку в розетку (если ЭВН опционно оборудован УЗО, нажать кнопку, расположенную на УЗО).

10. ЭКСПЛУАТАЦИЯ

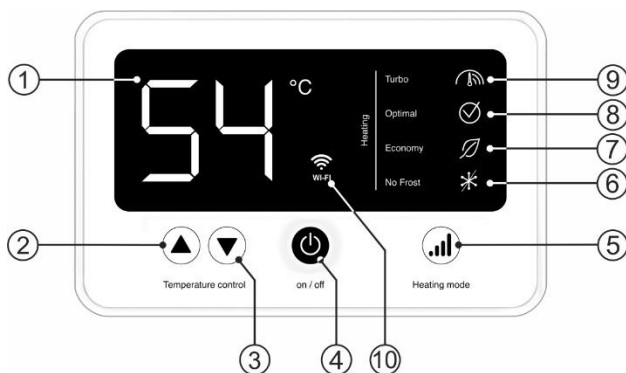


Рисунок 2. Электронная панель управления

Рисунок 2: 1 – LCD дисплей, 2 – кнопка «▲» Temperature control/ увеличение температуры нагрева, 3 – кнопка «▼» Temperature control/ уменьшение температуры нагрева, 4 – кнопка «on/off» / вкл./выкл, 5 – кнопка «Heating mode» / установка мощности нагрева, 6 – индикация режима «No Frost», 7 – индикация «Economy» / Минимальная мощность, 8 – индикация «Optimal» / стандартная мощность, 9 – индикация «Turbo»/ максимальная мощность, 10 – функция «Wi-Fi».

Включение/выключение ЭВН осуществляется центральной кнопкой на панели управления «on/off» (Рис. 2, п.4), при этом на дисплее показывается заданная температура нагрева. Через 2,5 секунды после этого на дисплей выводится текущая температура воды в ЭВН. Выбор мощности нагрева осуществляется кнопкой «Heating mode» (Рис. 2, п.5), на панели управления. Режим 2 кВт сопровождается индикацией контрольной лампы «Turbo» (Рис. 2, п.9), 1,3 кВт - индикацией контрольной лампы «Optimal» (Рис. 2, п.8), а 0,7 кВт - индикацией контрольной лампы «Ecoпomу» (Рис. 2, п.7). Включение режима антизамерзания сопровождается индикацией контрольной лампы «NO Frost» (Рис. 2, п.6).

В процессе эксплуатации ЭВН потребитель может регулировать температуру нагрева при помощи двух клавиш «▲» «▼» Temperature control (Рис. 2, п.2 и п.3).

Если вы не используете ЭВН в зимний период и существует вероятность замерзания водных магистралей и самого водонагревателя, рекомендуется отключить питание и слить воду из ЭВН во избежание повреждения внутреннего бака.

Для управления с мобильного устройства водонагреватель имеет функцию Wi-Fi.

1. Из Google Play или AppStore установите приложение Thermex Home. Создайте учётную запись.

2. Одновременно нажмите и удерживайте кнопки 2 и 3 на панели водонагревателя (рис. 2). Появится индикация Wi-Fi (Рис. 2, п. 10).

3. В приложении Thermex Home:

- нажмите кнопку «Добавить устройство»
- из списка устройств выберите «Водонагреватель»
- далее следуйте инструкциям приложения.

При возникновении сбоев:

- убедитесь, что на мобильном устройстве функция Wi-Fi включена,
- убедитесь, что есть подключение к сети Интернет,
- обратитесь к провайдеру.

11. ТЕХНИЧЕСКОЕ ОБСЛУЖИВАНИЕ

При проведении ТО проверяется наличие накипи на ТЭНе. Одновременно с этим удаляется осадок, который может образоваться в нижней части ЭВН. Если на ТЭНе образовалась накипь, то её можно удалить с помощью специальных чистящих средств, либо механическим путем. Рекомендуется через год с момента подключения ЭВН провести первое техническое обслуживание работниками специализированной организации и по интенсивности образования накипи и осадка определить сроки проведения последующих ТО. Данное действие максимально продлит срок эксплуатации ЭВН.

Первая замена магниевого анода должна быть произведена не позднее 12 месяцев с даты установки ЭВН. При отсутствии отметки об установке с печатью монтажной организации в гарантийном талоне, срок исчисляется с даты покупки. Периодическое проведение технического обслуживания и ежегодная замена магниевого анода является обязательным условием для сохранения гарантийных обязательств завода-изготовителя. Замена анода должна сопровождаться отметкой в гарантийном талоне, в случае замены сервисной организацией, или приложенным кассовым чеком о его покупке, в случае замены владельцем.



ВНИМАНИЕ! накопление накипи на ТЭНе может стать причиной его повреждения.

Примечание: Повреждение ТЭНа из-за образования накипи не подпадает под действие гарантийных обязательств. Регулярное техническое обслуживание не входит в гарантийные обязательства изготовителя и продавца.

Для проведения ТО необходимо выполнить следующее:

- отключить электропитание ЭВН;
- дать остыть горячей воде или израсходовать ее через смеситель;
- перекрыть поступление холодной воды в ЭВН;
- отвинтить предохранительный клапан или открыть сливной вентиль;
- на патрубок подачи холодной воды или на сливной вентиль надеть резиновый шланг, направив второй его конец в канализацию;
- открыть кран горячей воды на смесителе и слить воду из ЭВН через шланг в канализацию;
- снять защитную крышку, отключить провода, отвинтить и извлечь из корпуса опорный фланец;
- очистить при необходимости ТЭН от накипи и удалить осадок из бака;
- произвести сборку, заполнить ЭВН водой и включить питание.

В моделях, имеющих дренажный патрубок, достаточно перекрыть поступление холодной воды в ЭВН, открутить заглушку на дренажном патрубке и открыть кран горячей воды. После того, как вода сольется, можно открыть на некоторое время подачу холодной воды в ЭВН для дополнительной промывки бака.

При проведении технического обслуживания ЭВН силами специализированной организации в сервисном талоне должна быть сделана соответствующая отметка.

12. ВОЗМОЖНЫЕ НЕИСПРАВНОСТИ И МЕТОДЫ ИХ УСТРАНЕНИЯ.

Неисправность	Возможная причина	Способ устранения
Уменьшился напор горячей воды из ЭВН. Напор холодной воды прежний	Засорение впускного отверстия предохранительного клапана	Снять клапан и промыть его в воде
Увеличилось время нагрева	ТЭН покрылся слоем накипи	Извлечь фланец и очистить ТЭН
	Понижилось напряжение электросети	Обратиться в службу эксплуатации электросети
Частое срабатывание кнопки термовыключателя	Установленная температура близка к предельной	Повернуть регулятор термостата в сторону уменьшения температуры (-)
	Трубка термостата покрылась накипью	Извлечь из ЭВН опорный фланец и аккуратно очистить трубку от накипи
ЭВН работает, но не нагревает воду	Вентиль (Рис. 1, п.8) не закрыт или вышел из строя	Закрыть или заменить вентиль (Рис. 1, п.8)
Включенный в электросеть ЭВН не нагревает воду. Отсутствует индикация на панели управления	<ol style="list-style-type: none"> 1) сработало УЗО (при его наличии); 2) отсутствует напряжение в электросети; 3) поврежден сетевой провод. 	<ol style="list-style-type: none"> 1) Нажать кнопку на УЗО; 2) Проверьте наличие напряжения в электрической розетке; 3) Обратиться в специализированный сервисный центр.

Вышеперечисленные неисправности не являются дефектами ЭВН и устраняются потребителем самостоятельно или за его счет.

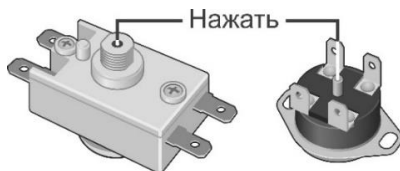


Рисунок 2. Схема расположения кнопки термовыключателя

13. ТРАНСПОРТИРОВКА И ХРАНЕНИЕ ЭЛЕКТРОВОДОНАГРЕВАТЕЛЕЙ

Транспортировка и хранение электроводонагревателей осуществляется в соответствии с манипуляционными знаками на упаковке:



– Необходимость защиты груза от воздействия влаги



– Хрупкость груза, условие осторожного обращения



– Рекомендованный температурный диапазон хранения груза:
от +10°C до +20°C



– Правильное вертикальное положение груза;

14. УТИЛИЗАЦИЯ

При соблюдении правил установки, эксплуатации, технического обслуживания ЭВН и соответствии качества используемой воды действующим стандартам изготовитель устанавливает срок службы ЭВН 9 лет.

При утилизации ЭВН необходимо соблюдать местные экологические законы и рекомендации.

Изготовитель оставляет за собой право на внесение изменений в конструкцию и характеристики ЭВН без предварительного уведомления.

15. ГАРАНТИИ ИЗГОТОВИТЕЛЯ

Изготовитель устанавливает срок гарантии на водонагреватель 2 года.

Срок гарантии исчисляется с даты продажи ЭВН. При отсутствии или исправлении даты продажи и штампа магазина срок гарантии исчисляется от даты выпуска ЭВН. Дата выпуска водонагревателя закодирована в уникальном серийном номере, расположенном на идентификационной табличке на корпусе ЭВН. Серийный номер ЭВН состоит из тринадцати цифр. Третья и четвертая цифра серийного номера - год выпуска, пятая и шестая - месяц выпуска, седьмая и восьмая - день выпуска ЭВН. Претензии в период срока гарантии принимаются при наличии данного руководства с отметками фирмы-продавца и идентификационной таблички на корпусе ЭВН.

Гарантия распространяется только на ЭВН. Неисправность предохранительного клапана или шнура питания не влекут за собой замену ЭВН. Ответственность за соблюдение правил установки и подключения лежит на покупателе (в случае самостоятельного подключения) либо на монтажной организации, осуществившей подключение.

Первая замена магниевого анода должна быть произведена не позднее 12 месяцев с даты установки ЭВН. При отсутствии отметки об установке с печатью монтажной организации в гарантийном талоне, срок исчисляется с даты покупки. Периодическое проведение технического обслуживания и ежегодная замена магниевого анода является обязательным условием для сохранения гарантийных обязательств завода-изготовителя. Замена анода должна сопровождаться отметкой в гарантийном талоне, в случае замены сервисной организацией, или приложенным кассовым чеком о его покупке, в случае замены владельцем.

Изготовитель не несет ответственность за недостатки, возникшие вследствие нарушения потребителем правил установки, эксплуатации и технического обслуживания ЭВН, изложенных в настоящем руководстве, в т.ч. в случаях, когда эти недостатки возникли из-за недопустимых параметров сетей (электрической и водоснабжения), в которых эксплуатируется ЭВН, и вследствие вмешательства третьих лиц. На претензии по внешнему виду ЭВН гарантия изготовителя не распространяется.

16. СВЕДЕНИЯ ОБ ИЗГОТОВИТЕЛЕ

RU

Изготовитель:

THERMEX heating Technology (Jiangmen) CO., Ltd

No. 51, Jianshedonglu, Taoyuan town, Heshan City, Guangdong Province, PRC

Все модели прошли обязательную сертификацию и соответствуют требованиям Европейских директив.



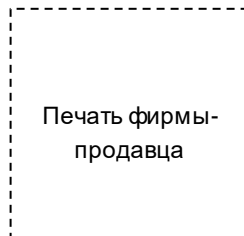
17. ОТМЕТКА О ПРОДАЖЕ

Модель _____ Серийный № _____

Дата продажи « ____ » _____ 20 ____ г.

Фирма-продавец: _____

Подпись представителя
фирмы-продавца _____



Изделие укомплектовано, к внешнему виду изделия претензий не имею. Руководство по эксплуатации с необходимыми отметками получил, с правилами эксплуатации и условиями гарантии ознакомлен и согласен.

Подпись покупателя: _____



PIRMS ŪDENS SILDĪTĀJA PIRMAS LIETOŠANAS, LŪDZU, RŪPĪGI IZLASIET ŠO LIETOŠANAS INSTRUKCIJU.

CIENĪJAMĀIS KLIENTS!

Paldies, ka iegādājāties ūdens sildītāju THERMEX!

Ūdens sildītāji THERMEX ir izstrādāti un ražoti saskaņā ar stingrākajiem starptautiskiem standartiem, kas nodrošina ekspluatatīvo drošumu un lietošanas drošību.

Šī instrukcija piemērota THERMEX sērijas IF (comfort) Wi-Fi modeļiem. Jūsu ūdens sildītāja pilnais nosaukums norādīts daļā „Atzīme par pārdošanu” un uz identifikācijas uzlīmes, kas atrodas uz ūdens sildītāja korpusa.

1. FUNKCIONĀLAIS PIELIETOJUMS

Ūdens sildītājs (turpmāk - EŪS) ir paredzēts, lai nodrošinātu ar karsto ūdeni sadzīves un rūpniecības objektus, kam ir auksts ūdensvads ar spiedienu ne mēzāku par 0,05 MPa un ne lielāku par 0,7 MPa.

EŪS ir jālieto aizvērtās apsildāmas telpās un nav paredzēts lietošanai nepārtrauktā caurplūdes režīmā.

2. IEPAKOJUMA SATURS

Ūdens sildītājs	- 1 gab.
Drošības vārsts GP	- 1 gab.
Lietošanas instrukcija	- 1 gab.
Enkuru komplekts EŪS uzstādīšanai (opcija)	- 1 komplekts
Iepakojums	- 1 gab.

3. GALVENIE TEHNISKIE RAKSTUROJUMI

EŪS padeves spriegums nevar pārsniegt 230 V \pm 10%. Barošanas elektrotīkla frekvences augšējā robeža 50 Hz \pm 1 %. Iekšējās tvertnes tilpums un sildītāja jauda norādīta uz identifikācijas uzlīmes, kas novietota uz iekārtu korpusa. Ūdens ieplūdes-izplūdes cauruļu diametrs ir G1/2".

Ražotājs patur sev tiesības bez brīdinājuma mainīt ūdens sildītāja komplektāciju, konstrukciju un parametrus.

Modelis	Rate	EŪS derīgais tilpums, l	Vidējs sasilšanas laiks, $\Delta T^{\circ}=45^{\circ}\text{C}$, ja jauda ir 2 kW	Uzstādīšana
IF 30 V (comfort) Wi-Fi	30	25	39 min.	vertikāli
IF 50 V (comfort) Wi-Fi	50	42	1 stunda 06 min.	vertikāli
IF 80 V (comfort) Wi-Fi	80	67	1 stunda 45 min.	vertikāli
IF 100 V (comfort) Wi-Fi	100	84	2 stundas 12 min.	vertikāli
IF 50 H (comfort) Wi-Fi	50	42	1 stunda 06 min.	horizontāli
IF 80 H (comfort) Wi-Fi	80	67	1 stunda 45 min.	horizontāli

4. APRAKSTS UN DARBĪBAS PRINCIPS

EŪS ārējais korpusis izgatavots no triecienizturīgas plastmasas. Iekšējās tvertnes ir pārklātas ar speciālo pārklājumu – biostiklu porcelānu, kas droši aizsargā iekšējo virsmu pret ķīmisko koroziju. Telpa starp ārējo korpusu un iekšējo tvertni aizpildīta ar putupoliuretānu – mūsdienu, ekoloģiski tīru siltumizolāciju, kam ir vislabākie siltuma saglabāšanas parametri. IF (comfort) Wi-Fi modeļiem ir divas vitņotājas īscaurules: viena ar zilo gredzenu aukstā ūdens ieplūdei (Att. 1 p. 3) un otra ar sarkano gredzenu karstā ūdens izplūdei (Att. 1, p.2), tie ir aprīkoti ar papildu drenu cauruli (aizslēgta ar metāla plāksni), lai nolaidītu ūdeni un skalotu iekšējo tvertni (Att. 1, p. 17). Vadības panelis visiem modeļiem ir izvietots EŪS priekšpusē (Att. 1, p. 16).

Uz noņemama atloka ir uzmontēti cauruļu elektrosildītāji (CES), termostata sensori un termoslēdzis. CES ir paredzēts ūdens sildīšanai un regulējams ar termostatu, kuram ir plūstoša regulēšana līdz $+65^{\circ}\text{C}$. Visiem modeļiem ir elektroniskā vadība un skārienjūtīgā regulēšana. Elektronika uztur temperatūru līmenī, ko iestādījis lietotājs. Termoslēdzis ir paredzēts, lai noverstu EŪS pārkaršanu, un izslēdz CES no elektrotīkla, ja ūdens temperatūra pārsniedz $+95^{\circ}\text{C}$ (Att. 3).

Drošības vārsts (Att. 1, p. 5) funkcionē kā pretvārsts, kavējot ūdens nokļūšanu no ūdens sildītāja ūdensvada tīklā, ja tajā nokrita spiediens, kā arī ja tvertnē paaugstina spiediens, sasildinot ūdeni. Tas funkcionē arī kā drošības vārsts, samazinājot virsspiedienu tvertnē, ja ūdens ir ļoti uzkaršēts.

Ūdens sildītāja lietošanas laikā ūdens var sūkties caur drošības vārsta izplūdes cauruli, lai samazinātu virsspiedienu, kas nepieciešams ūdens sildītāja drošībai. Šī izplūdes caurule jābūt atklāta un uzstādīta uz lēju.

Nepieciešams nodrošināt ūdens noplūdi no drošības vārsta izplūdes cauruli (1.att., p. 14) kanalizācijā, paredzot atbilstošo drenāžas sistēmu, veicot EŪS montāžu (1. att. p.6).

Nepieciešams regulāri (ne mazāk kā vienu reizi mēnesī) izplūst ūdeni mazā daudzumā kanalizācijā, lai noverstu katlakmeņa nogulsnes un lar pārbaudītu vārsta darbību. Lai atvērtu vārstu, tas aprīkots ar rokturi (1. att. p.15). Jāievēro, ka ūdens sildītāja lietošanas laikā šis rokturis būtu stāvoklī, kas neļauj ūdens izplūdes tvertnes.

5. DROŠĪBAS NOTEIKUMI

Ražotājs garantē EŪS elektrodrošību tikai, ja EŪS tiek efektīvi iezemēts saskaņā ar spēkā esošiem elektroiekārtas montāža noteikumiem.

Sanitārtehniskajam pievadam un noslēgarmatūrai jāatbilst ūdensvada tīkla datiem un tiem jābūt nepieciešami kvalitātes sertifikāti.

EŪS montāžas un lietošanas laikā aizliegts:

- pieslēgt pie elektrotīkla, ja EŪS nav piepildīts ar ūdeni;
- noņemt aizsargvāku, ja EŪS ir pieslēgts pie elektrotīkla;
- lietot EŪS bez iezemējuma vai izmantot ūdensvada cauruli kā iezemējumu;
- pieslēgt EŪS pie ūdensapgādes tīkla ar spiedienu, kas lielāks par 0,7 MPa;
- pieslēgt EŪS pie ūdensapgādes tīkla bez drošības vārsta;
- nolaist ūdeni no EŪS, ja tas ir pieslēgts pie elektrotīkla;
- izmantot rezerves daļas, kuras nav ieteicis ražotājs;
- izmantot ūdeni no EŪS ēdiena pagatavošanai;
- izmantot ūdeni, kurā ir mehāniskie piejaukumi (smilts, mazi akmeņi), kas var traucēt EŪS un drošības vārsta darbību.
- izmainīt konstrukciju un EŪS uzstādīšanas kronšteinu izmērus.

Apkārtējās vides temperatūrai, kurā tiek ekspluatēts ūdens sildītājs, jābūt no 3°C līdz 40°C. Ūdens sasaldšana EŪS var sabojāt iekārtu un tas nav garantijas gadījums.



Nedrīkst ļaut bērniem rotalāties ar EŪS. EŪS nav paredzēts izmantošanai personām ar fiziskās vai garīgas attīstības traucējumiem (tai skaitā arī bērniem), kā arī personām bez pieredzes un zināšanām, ja vien tos neuzrauga vai nesniedz norādījumus persona, kas atbildīgs par EŪS drošību.

EŪS lietošanas laikā nepieciešams regulāri apskatīt iekārtu, lai pārliecinātos, ka tā funkcionē pareizi (nav nekādu notecējumu, dūmu smaržas, elektriskās instalācijas dzirksteļošanas utm.). Ja ūdens sildītājs netiek izmantots ilgākā laikā vai ir atteice ūdensapgādes vai elektrotīklā, nepieciešams atslēgt EŪS no elektrotīkla un aizvērt aukstā ūdens padeves vārstu.

6. UZSTĀDĪŠANA UN PIESLĒGŠANA

Visas montāžas, sanitārtehniskos un elektromontāžas darbus veic kvalificēta persona.

7. NOVIETOŠANA UN UZSTĀDĪŠANA

Visas montāžas, sanitārtehniskos un elektromontāžas darbus veic kvalificēta persona.

EŪS uzstādīšanu jāveic saskaņā ar markējumu, kas norādīta uz iekārtas korpusa un Tabulā Nr. 1:

Tiek rekomendēts uzstādīt EŪS maksimāli tuvu no tās vietas, kur ir izmantots karsts ūdens, lai samazinātu siltuma zudumu caurulēs.

Izvēlot montāžas vietu, nepieciešams ievērot ar ūdens piepildītā EŪS kopsvaru. Ja sienai un grīdai ir maza vests pēja, tās ir jānostiprinā atceicīgi. Urbjot caurumus sienā, nepieciešams ievērot sienās ievietoti kabeļi, kanāli un caurules.

EŪS tiek piekārti uz sienas ar kronšteinu uz āķiem, kas ir iestiprināti sienā. Āķu uzstādīšana sienā ir jāizslēdz jebkāda veida EŪS spontānu pārvietojumu uz kronšteinu.

Ražotājs neuzņemas atbildību par EŪS krišanu, ja tā ir saistīta ar nepareizo āķu piestiprināšanu un to izvēli.

Lai veiktu EŪS apkalpošanu, attālums starp aizsargvāku un tuvojošam virsmam noņemamā atloka asa virzienā jābūt ne mazāk par 30 cm visiem modeļiem;



UZMANĪBU! Lai izvairītos no kaitējuma radīšanas lietotāja un (vai) trešajā persona īpašuma gadījumā, ja rodas bojājumi karstā ūdens apgādes sistēmā, ir nepieciešams veikt EŪS uzstādīšanu tādās telpās, kurām ir grīdu hidroizolācija un kanalizācijas drenāža, un nekādā gadījumā nenovietot zem EŪS priekšmetus, kas ir pakļauti ūdens iedarbībai. Ja EŪS tiek novietots telpās, kas nav aizsargātas, ir nepieciešams zem EŪS uzstādīt aizsargājošu padonu (nav iekļauts piegādes komplektā) ar drenāžu kanalizācijā.

Gadījumā, ja EŪS novieto vietās, kas ir grūti sasniedzamas, lai veiktu iekārtas tehnisko apkalpošanu un garantijas apkalpošanu (skapju augšas, nišas, starpgriestu vietas utt.), tad EŪS montāžu un demontāžu veic pats lietotājs, vai arī tas tiek veikts uz viņa rēķina.

Piezīme: aizsargājošais padons nav iekļauts EŪS komplektā.

8. PIESLĒGŠANA PIE ŪDENSAPGĀDES TĪKLA

Ir nepieciešams padevēt auksto ūdeni EŪS, izmantojot ūdens priekštīršanas filtru, kura attīršanas pakāpe ir 200 mkm.

Uzstādīt drošības vārstu (Att. 1, p. 5) uz aukstā ūdens ieejas (Att. 1, p. 321), kas ir apzīmēts ar zilas krāsas gredzentiņu, uz 3,5 - 4 apgriezieniem, nodrošinot savienojuma hermētiskumu ar jebkuru ūdensizolējošu materiālu (linu, lentu FUM u.c.).

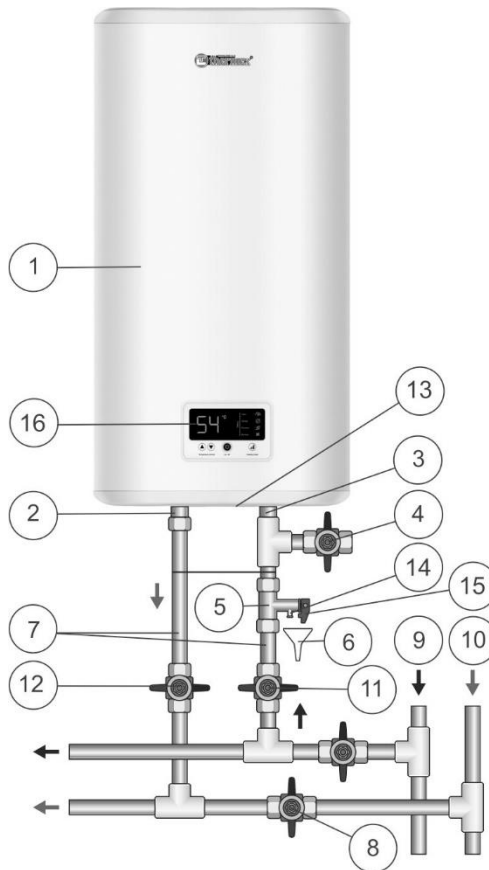
Ūdens sildītāja ekspluatācijas laikā ūdens var sūkties cauri no drošības vārsta drenāžas „knābja” (lai samazinātu virspiedienu, kas nepieciešams ūdens sildītāja drošības nolūkam). Tiek rekomendēts pievienot pie

drenāžas „knābja” pievienot gumijas vai silikona šļūteni ar atbilstošu diametru ūdens novadīšanai.

Pieslēgšana pie ūdensapgādes sistēmas tiek veikta saskaņā ar att. 1, izmantojot vara, metālplastmasas vai plastmasas caurules, kā arī speciālo lokano caurules. Aizliegts izmantot lokanu cauruli, kas jau bija lietošanā. Tiek rekomendēts piegādāt ūdeni ūdens sildītājam, izmantojot filtru – dubļu uztvērēju, kas jāizvieto aukstā ūdens maģistrālē (nav iekļauts komplektācijā).



Aizliegts izmantot lokano cauruli, kas jau bija lietošanā. Aizliegts ekspluatēt ūdens sildītāju bez drošības vārsta vai izmantojot citu ražotāju vārstu.



Attēls 1. EŪS pieslēgšana pie ūdensapgādes tīkla

Attēls 1: 1 – EŪS, 2 – karstā ūdens caurule, 3 – aukstā ūdens caurule, 4 – izlaišanas vārsts (komplektācijā nav iekļauts), 5 – drošības vārsts, 6 – drenāžas sistēma kanalizācijā (komplektācijā nav iekļauta), 7 - pievade, 8 – aizvērt vārstu EŪS ekspluatācijas laikā, 9 – aukstā ūdens maģistrāle 10 – karstā ūdens maģistrāle, 11 – aukstā ūdens slēgvārsts, 13 – aizsargvāks, 14 – drošības vārsta izplūdes caurule, 15 – drošības vārsta atslēdzēšanas rokturis, 16 – vadības panelis.

Pēc EŪS pieslēgšanas pārlicinājies, ka aukstā ūdens slēgtvārsts ir atvērts un karstā ūdens slēgtvārsts (8) aizvērts. Atvieriet aukstā ūdens ieplūdes ventili EŪS (11), karstā ūdens izplūdes ventili (12) un karstā ūdens ventili jaucejā, lai nodrošinātu gaismas noplūdes no EŪS. Kad EŪS būs pilnībā piepildīts no krana jaucejā, tad ar nepārtrauktu strūklu sāks tecēt ūdens. Aizvieriet karstā ūdens krānu jaucejā.

Pieslēdzot EŪS vietās, kuras nav aprīkotas ar ūdens apgādes sistēmu, pastāv iespēja piegādāt ūdeni EŪS no papildus tvertnēm, kas ir novietota augstumā, kas nav mazāks par 5 metriem no augšējās EŪS virsmas, vai arī izmantojot sūkni.

Piezīme: lai vienkāršotu ūdens sildītāja apkalpošanu rekomendē uzstādīt izplūdes vārstu (1. att. p. 4) saskaņā ar 1. attēlu (modeļiem, kas nav aprīkoti ar izplūdes cauruli (nav iekļauta ūdens sildītāja iepakojuma saturā)).

Ja spiediens ūdensvada maģistrālē pārsniedz 0,7 MPa, tad aukstā ūdens ieplūdes vietā pirms drošības vārstu (ūdens virzienā) jāvieto redukcijas vārstu (nav iekļauts ūdens sildītāja iepakojuma saturā), lai samazinātu ūdens spiedienu līdz normālajam.

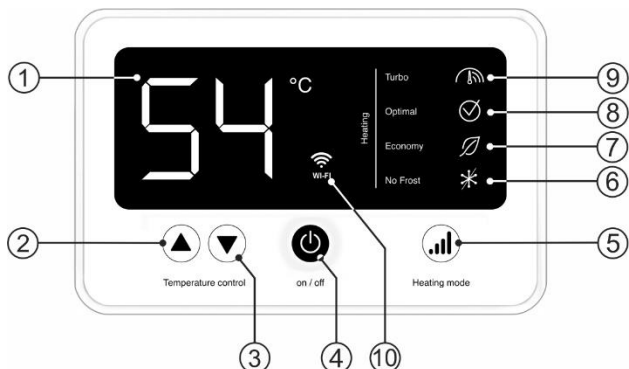
9. PIESLĒGŠANAS PIE ELEKTROTĪKLA

Pirms pieslēgt boileri pie elektrotīkla, pārlicinieties, ka to tehniskie parametri atbilst tiem, kādam paredzēts šis ūdens sildītājs.

UZMANĪBU! Pirms pieslēgt EŪS pie elektrotīkla, pārlicinieties, ka EŪS ir piepildīts ar ūdeni!

Ūdens sildītājam ir jābūt saņemtam, lai nodrošinātu tā drošu darbu. Ūdens sildītājs ir aprīkots ar elektrotīkla vadu ar eiropiesko kontaktdakšīņu. Elektrolīgzdai ir jābūt zemējuma kontakts, kam klāt ir pievilkts zemējuma vads, un ir jābūt uzstādīta i vietā, kas ir aizsargāta no mitruma, vai arī tai ir jāatbilst prasībām ne mazāk kā IPX4.

10. EKSPLUATĀCIJA

**Attēls 2. Elektroniskais panelis**

Attēls 2: 1 – LCD displejs, 2 – poga «▲» Temperature control / temperatūras palielināšana, 3 – poga «▼» Temperature control/ temperatūras samazināšana, 4 – poga «on/off» / iesl./izsl. 5 – poga «Heating mode» / sasilšanas jaudas regulēšana, 6 – «No Frost» režīma norāde, 7 – indikācija «Economy» / Minimālā jauda, 8 – indikācija Optimal» / nominālā jauda, 9 – indikācija «Turbo» / maksimālā jauda, 10 – funkcija "Wi-Fi".

Lai ieslēgtu/izslēgtu ūdens sildītāju, nospiediet centrālo pogu ON/OFF (2. attēls p. 4), pie tam uz displeja atspoguļojas uzstādīta sildīšanas temperatūra. Pēc 2,5 sekundām uz displeja izgaismojas tekošā ūdens temperatūra ūdens sildītājā. Sildīšanas jauda tiek izvēlēta ar pogu «Heating mode» (2. att. p. 5), kas novietota uz vadības paneļa. Režīmā 2 kW izgaismojas indikators „Turbo” (2.att. p. 9), režīmā 1,3 kW – indikators „Optimal” (2. att. p. 8) un režīmā 0,7 kW – indikators „Economy” (2. att. p.7). Antifīrīzs izgaismojas indikators „No Frost” (2.att. p. 6).

Lietojot ūdens sildītāju, lietotājs var regulēt ūdens sildīšanas temperatūru ar divām pogām «▲» «▼» Temperature control (2. att. p.2 un p.3).

Ja jūs neizmantojat ūdens sildītāju ziemā un ir iespēja iesaldēt no ūdensvada un ūdens sildītāju, ieteicams izslēgt jaudu un drenāžas ūdeni no EŪS, lai novērstu iekšējas tvertnes kaitējumu.

Vadībai no mobilās ierīces ūdens sildītājam ir Wi-Fi funkcija.

1. Uztādiet lietotni Thermex Home no Google Play vai AppStore. Izveidojiet profilu.

2. Vienlaicīgi nospiediet un turiet pogas 2 un 3 sildītāja panelī (2.att.). Parādīsies Wi-Fi indikācija (2.att., p. 10).

3. Lietotnē Thermex Home:

- noklikšķiniet uz pogas "Pievienot ierīci"

- ierīču sarakstā izvēlieties "Ūdens sildītājs"
- pēc tam izpildiet lietotnē sniegtos norādījumus.

Kļūdu gadījumā:

- pārliecinieties, ka jūsu mobilajā ierīcē ir ieslēgta Wi-Fi funkcija,
- pārliecinieties, vai ir interneta savienojums,
- sazinieties ar pakalpojumu sniedzēju.

11. TEHNISKĀ APKALPOŠANA

Veicot TA tiek pārbaudīts magnija anoda stavoklis un tiek pārbaudīta noguļņu esamība CES. Vienlaicīgi ar šo izdalītas nogulsnes, kas var uzkrāties EŪS apakšējā daļā.

Ja uz CES ir izveidojušās nogulsnes, tad tas var likvidēt ar speciālajiem līdzekļiem noguļņu likvidēšanai vai arī mehāniskā veidā. Pirmo tehnisko apkopi rekomendē veikt speciālā dienesta darbiniekiem pēc viena gada kopš ekspluatācijas sākuma un pēc nogulsnēm noteikt nakāmas apkopes termiņu. Šī darbība maksimāli pagarinā ūdens sildītāja ekspluatācijas laiku.

Pirmā magnija anoda nomaīņa jāveic ne vēlāk kā 12 mēnešus pēc EŪS uzstādīšanas dienas. Ja garantijas talonā nav atzīmes par uzstādīšanu ar uzstādīšanas organizācijas zīmogu, preces garantijas periods tiek rēķināts no pirkuma datuma. Magnija anoda periodiskā apkope un ikgadējā nomaīņa ir obligāta, lai uzturētu ražotāja garantiju. Anoda nomaīņai jāpievieno atzīme garantijas talonā, ja nomaīņu veic servisa organizācija, vai pirkuma čeks, ja nomaīņu veic īpašnieks.



UZMANĪBU! Nogulsnes izveidošana uz CES var izraisīt tā bojājumu.

Piezīme: Garantija neattiecas uz CES bojājumiem nogulsnes izveidošanas dēļ. Regulāra tehniskā apkope nav iekļauta ražotāja un pārdevēja garantijā.

Lai veiktu TA, nepieciešams veikt sekojošo:

- Atslēgt EŪS no elektrotīkla;
- laut atdzist karstajam ūdenim vai izlietot to caur sajaucēju;
- aizslēgt auksta ūdens padevi EŪS;
- atskrūvēt drošības vārstu, vai arī atvērt izplūdes vārstu;
- uz caurules, kas padod auksto ūdeni, vai arī uz izplūdes vārsta uzvilkt gumijas šļūteni, tā otru galu novadot kanalizācijā;
- atvērt karstā ūdens vārstu sajaucējā un izliet ūdeni no EŪS caur šļūtenes kanalizācijā;
- noņemt aizsargvāku, atvienot kabelus un izņemt balstatloku;

- ja nepieciešams, attīrīt CES no katlakmens nogulsņēmun mazgāt tvertni;
- salikt visu atpakaļ, piepildīt EŪS ar ūdeni un ieslēgt elektrotīklu.

Modeļos, kas aprīkoti ar drenāžas cauruli, būs pietiekams aizvērt aukstā ūdens padevi EŪS, atskrūvēt plāksni no drenāžas caurules un atvērt karstā ūdens krānu. Pēc tam, kas ūdens izplūdas, var atvērt aukstā ūdens krānu uz neilgu laiku papildu tvertnes skalošanai.

Ja tehnisko apkopi veic specializētas organizācijas darbinieki, servisa talonā jāizdara atbilstošu atzīmi.

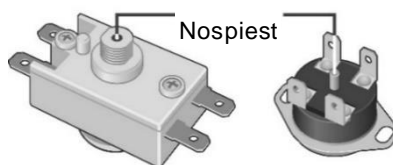
12. IESPĒJAMIE BOJĀJUMI UN TO NOVĒRŠANAS METODES

Bojājums	Iespējams iemesls	Novēršanas metode
Pazeminājās karstā ūdens spiediens no EŪS. Aukstā ūdens spiediens ir nemainīgs.	Drošības vārsta ieejas atvēruma aizsērēšanās	Noņemt vārstu un nomazgāt to ar ūdeni.
Palielinājies ūdens uzsildīšanās laiks	CES ir pārklājusies ar nogulsņu slāni	Izņemt atloku un attīrīt CES.
	Pazeminājās elektrotīkla spriegums	Griezties elektrotīkla lietošanas servisā
Bieži nostrādā termo aizsardzības poga	Uzstādītā temperatūra ir tuva maksimumam	Pagriezt termostata regulatoru uz temperatūras samazināšanas pusi (-)
	Termostata caurulīte ir pārklājusies ar nogulsnēm	Noņemt no EŪS noņemamo atloku un uzmanīgi attīrīt caurulīti no nogulsnēm
Ieslēgts elektrotīklā EŪS nesilda ūdeni	Vārst (Att. 1, p. 8) nav aizslēgts vai sabojāts	Aizslēgt vai nomainīt vārstu (1.att, p. 8)

<p>Ieslēgts EŪS nesilda ūdeni. Kontroles lampiņa nedeg.</p>	<p>1) elektrotīkla nav spiediena; 2) elektrotīkla kabelis sabojāts; 3) Termoslēdzis aktivizēts vai nav ieslēgts</p>	<p>1) pārbaudīt spriegumu elektrolīgzdā; 2) sazināties ar specializēto atbalsta dienestu; 3) atslēgt EŪS no elektrotīkla, noņemt aizsargvāku, nospieš termoslēdzēja pogu (2. att.), uzstādīt vāku un ieslēgt iekārtu</p>
---	---	--

Augstākminētie bojājumi nav EŪS defekti un tiek noversti ar pašu lietotāju vai arī ar specializētas organizācijas palīdzību uz klienta rēķina.

Ja nav iespējams tos novērst, sekot augstāk minētās rekomendācijas, vai būs klāt citi bojājumi, jāgriežas servisa centrā, kas norādīts lietošanas pamācībā.



2. attēls. Termoslēdzēja pogas novietošanas

13. ŪDENS SILDĪTĀJA TRANSPORTĒŠANA UN GLABĀŠANA

Elektrisko ūdens sildītāju transportēšana un glabāšana tiek veikta atbilstoši manipulācijas atzīmēm, norādītas uz iepakojuma:



– Aizsargāt no mitruma,



Trausla krava, rīkoties saudzīgi;



– Rekomendēts glabāšanas temperatūras diapazons:
от +10°C до +20°C



– Pareizs vertikālais stāvoklis.

14. UTULIZĒŠANA

Ievērojot uzstādīšanas, lietošanas un tehniskās apkopes noteikumus un ja dens klavitāte atbilst spēkā esošiem standartiem, ražotājs nosaka garantijas termiņu uz 9 gadi kopš pārdošanas datuma.

Ievērojot EŪS uzstādīšanas, lietošanas un tehniskās apkalpošanas noteikumus un izmantojot atbilstošo standartiemūdeni, ražotājs nosaka lietošanas termiņu uz 9 gadiem kopš EŪS pirkšanas datuma.

Visas ūdens sildītāja sastāvdaļas ir izgatavotas no materiāliem, kurus nepieciešamības gadījumā var izmantot saskaņā ar ekoloģiskās drošības noteikumiem tajā valstī, kurā ūdens sildītājs tiek lietots.

Utilizējot ūdens sildītāju jāievēro vietējie ekoloģijas likumi un prasības.

Ražotājs patur sev tiesības bez brīdinājuma mainīt ūdens sildītāja konstrukciju un parametrus.

15. RAŽOTĀJA GARANTIJA

Ražotājs nosaka garantijas derīguma termiņu ūdens sildītājam uz 2 gadiem.

Garantijas derīguma termiņš tiek sākts skaitīt no EŪS pārdošanas datuma. Ja nav norādīts pārdošanas datums un veikala zīmogs, tad garantijas derīguma termiņš tiek noteikts no EŪS ražošanas brīža. Ūdens sildītāja ražošanas datums tiek sifrēts unikālajā serijas numurā, kas noveitots uz identifikācijas uzlīmes uz iekārtas koprusa. EUS serijas numurs iekļauts 13 ciparus. Trešais un ceturtais cipars nozīmē ražošanas gadu, piektais un sestais – ražošanas mēnesis, septītais un astotais – ūdens sildītāja ražošanas diena. Visas pretenzijas tiek pieņemtas tādā gadījumā, ja ir garantijas talons ar pārdevēja atzīmēm un ja uz EŪS korpusa ir identifikācijas uzlīme.

Garantija attiecas tikai uz EŪS. Drošības vārsta vai kabeļa bojājums nav iemesls ūdens sildītāja nomainīšanai. Atbildību par iekārtas uzstādīšanu un pieslēgšanu uzņemas pircējs (ja viņš pats pieslēdza iekārtu) vai montāžas organizācija, kas veica pieslēgšanu.

Pirmā magnija anoda nomaīna jāveic ne vēlāk kā 12 mēnešus pēc EŪS uzstādīšanas dienas. Ja garantijas talonā nav atzīmes par uzstādīšanu ar uzstādīšanas organizācijas zīmogu, preces garantijas periods tiek rēķināts no pirkuma datuma. Magnija anoda periodiskā apkope un ikgadējā nomaīna ir obligāta, lai uzturētu ražotāja garantiju. Anoda nomaīnai jāpievieno atzīme garantijas talonā, ja nomaīnu veic servisa organizācija, vai pirkuma čeks, ja nomaīnu veic īpašnieks.

Ražotājs nav atbildīgs par kaitējumiem, kas radušies ūdens sildītāja uzstādīšanas, lietošanas un tehniskās apkalpošanas noteikumu neievērošanas dēļ, tai skaitā arī

gadījumos, kad šie trūkumi radušies tīkla nepieļaujamiem parametriem dēļ (elektrotīkla un ūdensapgādes), kuros tiek lietots EŪS, un trešo personu iejaukšanās dēļ. Ražotāja garantija neattiecas uz pretenzijām par ūdens sildītāja ārējo izskatu.

16. INFORMĀCIJA PAR RAŽOTĀJU

Ražotājs:

THERMEX heating Technology (Jiangmen) CO., Ltd

No. 51, Jianshedonglu , Taoyuan town, Heshan City, Guangdong Province, China

ZIP: 529725

Visi modeļi ir sertificēti un atbilst Eiropas likumu prasībām.



PĀRDOŠANAS ATZĪME

Modelis _____ Sērijas Nr. _____

Pārdošanas datums « _____ » _____ 20 _____

Pārdevējs: _____

Pārdevēja

pārstāvja paraksts _____

Pārdevēja zīmogs

Prece ir nokomplektēta. Pretenzijas par izstrādājuma ārējo izskatu nav. Lietošanas pamācību ar nepieciešamajām atzīmēm esmu saņēmis/-usi. Ar lietošanas noteikumiem esmu iepazinies/-usies un tos pieņemu.

Pircēja paraksts: _____



PRIEŠ PRADEDAMI NAUDOTIS ELEKTRINIŲ TURINIŲ VANDENS ŠILDYTVŲŲ ATIDŽIAI PERSKAITYKITE ŠIĄ NAUDOJIMO INSTRUKCIJĄ

GERBIAMAS PIRKĖJAU!

Sveikiname Jus įsigijus elektrinį vandens šildytuvą THERMEX!

THERMEX elektriniai vandens šildytuvai suprojektuoti ir pagaminti griežtai laikantis vidaus ir tarptautinius standartus, kurie garantuoja patikimumą ir naudojimo saugumą.

Ši naudojimo instrukcija taikoma THERMEX modeliams IF (comfort) Wi-Fi serijos. Įsigyto modelio pavadinimas nurodytas skyriuje „Pardavimo žymė“ ir identifikavimo lentelėje ant vandens šildytuvo korpuso.

1. PASKIRTIS

Elektrinis vandens šildytuvas (toliau tekste EVŠ), skirtas karšto vandens gavimui buitiniams ir pramoniniams poreikiams, kur yra šalto vandens magistralė su minimaliu slėgiu 0,05 MPa ir maksimaliu slėgiu 0,7 MPa.

EVŠ eksploatavimas skirtas uždaroje apšildomose patalpose ir ne gali dirbti nepertraukiamo darbo režimu.

2. TIEKIMO KOMPLEKTAS

Elektrinis vandens šildytuvas	- 1 vnt.
GP tipo apsauginis vožtuvas	- 1 vnt.
Naudojimo instrukcija	- 1 vnt.
Ankeriu komplektas tvirtinimui (opcionaliai)	- 1 komplektas
Įpakavimas	- 1 vnt.

3. PAGRINDINĖS TECHNINĖS CHARAKTERISTIKOS

EVŠ maitinimo įtampa turi būti ne didesne kaip $230\text{ V} \pm 10\%$. Maitinimo tinklo dažnis $50\text{ Hz} \pm 1\%$. Vidinio bako tūris ir šildymo elemento galia yra nurodyti prietaiso korpuso identifikacinėje lentelėje. Vandens padavimo ir išleidimo vamzdžių sriegių skersmuo yra G1/2.

Gamintojas pasilieka teisę be išankstinio pranešimo keisti vandens šildytuvo komplektaciją, konstrukciją ir charakteristikas.

Modelis	Rate	Naudingas EVŠ tūris, l	Vidutinis šildymo laikas, $\Delta T^{\circ}=45^{\circ}\text{C}$ esant 2 kW galiai	Talpinimas
IF 30 V (comfort) Wi-Fi	30	25	0 val. 39 min.	vertikalus
IF 50 V (comfort) Wi-Fi	50	42	1 val. 06 min.	vertikalus
IF 80 V (comfort) Wi-Fi	80	67	1 val. 45 min.	vertikalus
IF 100 V (comfort) Wi-Fi	100	84	2 val. 12 min.	vertikalus
IF 50 H (comfort) Wi-Fi	50	42	1 val. 06 min.	horizontalus
IF 80 H (comfort) Wi-Fi	80	67	1 val. 45 min.	horizontalus

4. APRAŠYMAS IR EVŠ VEIKIMO PRINCIPAS

Išorinis EVŠ korpusas pagamintas iš smūgiams atsparaus plastiko. Vidinis bakas su bio stiklo porceliano padengimu, kuris patikimai apsaugo vidinį paviršių nuo cheminės korozijos. Erdvė tarp išorinio korpuso ir vidinio bako yra užpildyta poliuretano putomis - moderni, ekologiška izoliacija, kuri turi geriausias šilumos taupymo charakteristikas.

IF (comfort) Wi-Fi modeliai turi dvi srieginius vamzdžius: šalto vandens padavimo (Pav. 1, p. 3) su mėlynu žiedu ir karšto vandens išleidimo vamzdis (Pav. 1, p. 2) - su raudonu žiedu, ir įrengtas papildomas drenažo vamzdis (uždarytas metaliniu dangteliu), kad išleisti vandenį ir praplauti vidinį baką (Pav. 1, p. 17). EVŠ priekinėje pusėje visuose modeliuose yra valdymo panelė (Pav. 1, p. 16).

Ant nuimamų flanšų įmontuoti elektros vamzdiniai kaitintuvai (EVK) ir termostatai ir temperatūros jungiklio jutikliai. EVK skirtas vandens pašildymui ir valdomas termostatu, kuris turi tolygų temperatūros reguliavimą iki 65°C . Visi modeliai turi sensorinį elektroninį valdymą. Elektronika automatiškai palaiko vandens temperatūrą vartotojo nustatytame lygyje. Temperatūros jungiklis skirtas apsaugoti EVŠ nuo perkaitimo ir išjungia EVK nuo tinklo, kai vandens temperatūra bus aukščiau negu $+95^{\circ}\text{C}$ (Pav.3).

Apsauginis vožtuvas (Pav. 1, p. 5) veikia kaip atbulinis vožtuvas, užkertant kelią vandens iš šildytuvo patekimą į vandentiekį krentant slėgiui vandentiekyje ir au gant slėgiui bake kai vanduo įkaista, o taip pat, kaip apsauginis vožtuvas mažinant perteklinį slėgį bake kai vanduo stipriai įkaista. Vandens šildytuvo eksploatavimo metu vanduo gali ištekėti iš apsauginio vožtuvo išėjimo vamzdžio mažinant perteklinį slėgį, kas atsitinka dėl saugumo prižasčių. Tas išėjimo vamzdis turi išlikti atviras atmosferai ir turi būti įrengtas pastoviai žemyn.

Būtina užtikrinti vandens nuvedimą iš apsauginio vožtuvo išėjimo vamzdžio (Pav. 1, p. 14) į kanalizaciją, numatant EVŠ montavimo metu atitinkanti drenažą (Pav. 1, p. 6).

Reikia reguliariai (bent kartą per mėnesį) atlikti nedidelio vandens kiekio išpylimą per apsauginio vožtuvo išėjimo vamzdį į kanalizaciją, kad pašalinti kalkių nuosėdas ir patikrinti vožtuvo darbingumą. Vožtuvo atidarymui skirta rankenėlė (Pav. 1, p. 15).

Reikėtų pasirūpinti, kad vandens šildytuvo darbo metu šita rankenėlė būtų padėtyje, uždarančioje vandens išpylimą iš bako.

5. SAUGUMO PRIEMONĖS

EVŠ elektros saugumas garantuotas tik esant efektyviam įžeminimui, atliktam laikantis elektros instaliacijos taisyklės.

Santehnikos atvedimas ir uždarojoji armatūra turi atitikti vandentiekio tinklą ir turėti reikiamus kokybės sertifikatus.

EVŠ montavimo ir eksploatavimo metu draudžiama:

- įjungti į elektros tinklą neužpildžius EVŠ vandeniui;
- nuimti apsauginį dangtį, jeigu vandens šildytuvą įjungtas į elektros tinklą;
- naudoti vandens šildytuvą be įžeminimo arba naudoti įžeminimui vamzdžius;
- prijungti EVŠ prie vandentiekio tinklo su slėgio didesniu nei 0,7 MPa;
- prijungti EVŠ prie vandentiekio be apsauginio vožtuvo.
- išleisti vandenį iš EVŠ, jeigu vandens šildytuvą įjungtas į elektros tinklą.
- naudoti keitimui atsargines detales, kurių Gamintojas nerekomendavo.
- naudoti vandenį iš vandens šildytuvo maisto paruošimui;
- naudoti vandenį, kur yra mechaninės priemaišos (smėlį, akmenys), kas gali sukelti EVŠ ir apsauginio vožtuvo gedimą;
- pakeisti konstrukcijos ir montavimo kronšteinų matmenys.

Aplinkos temperatūra, kurioje naudojamas EVŠ, turėtų būti nuo 3°C iki 40°C. Negalima leisti užšalti vandeniui šildytuve, nes jis veda prie jo gedimo, ir nėra garantinis atvejis.



Reikėtų atkreipti vaikų dėmesį į tai, kad jie nežaistų su EVŠ. EVŠ neskirtas naudoti neįgaliems asmenims (įskaitant vaikus), kuriems būdingi sumažėję fiziniai, jutimo arba protiniai gebėjimai, taip pat asmenims, kurie nemoka naudotis EVŠ, išskyrus atvejus, kai tai įvyksta, prižiūrint, ar, pagal EVŠ saugos instrukcijas.

EVŠ naudojimo metu reguliariai reikia apžiūrėti prietaisą ar teisingai jis veikia (nėra pataikų, svilėsių kvapo, laidų kibirkščiavimo ir t.t.). Kai vandens šildytuvą ilgai nenaudojamas ar vandentiekio tinklo sutrikime, reikia atjungti EVŠ nuo elektros tinklo ir uždaryti šalto vandens padavimo ventilių.

6. MONTAVIMAS IR PRILJUNGIMAS

Visus montavimo, santehnikos ir elektros tinklo darbus privalo vykdyti kvalifikuotas personalas.

7. TALPINIMAS IR MONTAVIMAS

Visus montavimo, santchnikos irelektros tinklo darbus privalo vykdyti kvalifikuo-
tas personalas.

EVŠ montavimas vykdomas pagal ženklinimą ant korpuso ir Lentelę 1: EVŠ rek-
omenduojama įrengti kiek galima arčiau karšto vandens vartojimo vietų, kad šiluminiai
nuostoliai vamzdžiuose būtų minimalūs.

Renkantis montavimo vietą reikėtų atsižvelgti į bendrą pripildyto vandens EVŠ
svorį. Sienos ir grindys su silpna keliamąja galia turi būti atitinkamai sustiprinti.
Gręžiant (darant) skylės sienoje, reikėtų atsižvelgti į joje esančius kabelius, kanalus ir
vamzdžius.

EVŠ tvirtinamas už korpuso kronšteinus ant ankerių kablius, kurie tvirtinami
sienoje. Kablių sienoje montavimas turėtų pašalinti spontanišką EVŠ kronšteinų
judėjimą.

Dėl EVŠ kritimo, susijusio su neteisingu ankerių montavimu ir jų parinkimu,
gamintojas neatsako.

Dėl EVŠ aptarnavimo atstumas nuo apsauginio dangčio iki artimiausio paviršiaus
nuimamo flanšo ašies kryptimi, turėtų būti ne mažiau kaip 30 centimetrų – visiems
modeliams;



**DĖMĖS IO! Siekiant išvengti žalos vartotojo ir (ar) trečiųjų šalių turtui
dėl netinkamo karšto vandens sistemos veikimo, būtina, kad EVŠ
montavimas vyktų patalpose su grindų hidroizoliacija ir drenažu į
kanalizaciją, ir jokiū būdu po EVŠ negali būti daiktai veikiami vandeniu.
Jei EVŠ montuojamas neapsaugotose patalpose po EVŠ būtina įdiegti
apsauginį podugnį su drenažu į kanalizaciją.**

Tuo atveju, jei EVŠ montuojamas sunkiai prieinamose vietose tam, kad atlikti
techninės priežiūros ir garantinio aptarnavimo darbus (antresolė, nišos, tarplubinėse
tarpuose ir t.t.), EVŠ montavimą ir demontavimą, atlieka pats vartotojas arba, jo
sąskaita.

Pastaba: apsauginis podugnis neįeina į EVŠ tiekimo komplektą.

8. PRIJUNGIMAS PRIE VANDENTIEKIO

Būtina paduoti šaltą vandenį į EVŠ naudojant išankstinio vandens valymo filtrą su
vandens valymo laipsniu ne mažiau 200 mkm

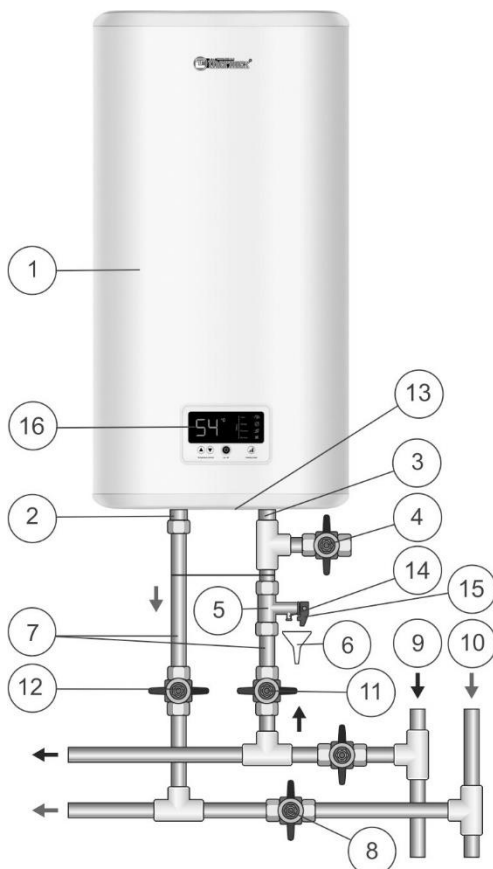
Nustatyti apsauginį vožtuvą (Pav. 1, p. 5) šalto vandens įėjime (Pav. 1, p. 3) -
atvamzdį su mėlynu žiedu, pasukant 3,5 - 4 kartus, užtikrinant gerą sandarumą bet
kokią sandarinimo medžiaga (linų, juosta FUM ir kt.).

Vandens šildytuvo eksploatavimo metu vanduo gali ištekėti iš apsauginio vožtuvo išėjimo vamzdžio (perteklinio slėgio mažinimas, kai vanduo kaista). Rekomenduojama prijungti prie nutekėjimo angos silikono arba guminį vamzdį tinkamo skersmens, kad pašalinti drėgmę.

Prijungimas prie vandentiekio sistemos vykdomas pagal Pav. 1 naudojant vario, metaloplastikinius vamzdžius arba plastikinius vamzdžius, o taip pat specialų lankstų santechnikos atvedimą. Nenaudokite lankstų atvedimą pakartotinai. Rekomenduojama paduoti EVŠ vandenį per filtrą, sumontuotą šalto vandens magistralėje (neįeina į EVŠ tiekimo komplektą).



Draudžiama naudoti lankstų atvedimą pakartotinai. Draudžiama naudotis EVŠ be apsauginio vožtuvo arba naudoti kitų gamintojų vožtuvus.



Paveikslas 1. EVŠ prijungimo prie vandentiekio schema

Paveikslas 1: 1 – EVŠ, 2 – karšto vandens vamzdis, 3 – šalto vandens vamzdis, 4 – išleidimo ventilis (neįeina į tiekimo komplektą), 5 – apsauginis vožtuvas, 6 – drenažas į kanalizaciją (neįeina į tiekimo komplektą), 7 – atvedimas, 8 – uždaryti ventilių naudojant EVŠ, 9 – šalto vandens magistralė, 10 – karšto vandens magistralė, 11 – šalto vandens išjungimo ventilis, 12 – karšto vandens išjungimo ventilis, 13 – apsauginis dangtelis, 14 – apsauginio vožtuvo išėjimo vamzdis, 15 – apsauginio vožtuvo atidarymo rankenėlė, 16 – valdymo panelė.

Po EVŠ pajungimo, įsitikinkite, kad šalto vandens EVŠ atidarytas, o EVŠ karšto vandens uždaromas ventilius (8) uždarytas. Atidarykite šalto vandens išleidimo vožtuvą į EVŠ (11), karšto vandens išeinamąjį vožtuvą iš EVŠ (12), karšto vandens išeinamąjį čiaupą ant maišytuvo, kad užtikrinti oro iš EVŠ ištekėjimą. Kai EVŠ bus pilnai užpildytas iš maišytuvo čiaupo tekės nuolatinis vandens srautas. Uždarykite karšto vandens čiaupą ant maišytuvo. Jungiant EVŠ vietose, kur nėra vandentiekio, leidžiama tiekti vandenį į EVŠ iš pagalbinio bako, naudojant siurblinę, arba iš talpos, kuri pakabinta ne mažiau kaip 5 metrų aukštyje nuo viršutinio EVŠ taško.

Pastaba: norint palengvinti EVŠ aptarnavimą eksploataavimo metu, rekomenduojama įdiegti išleidimo ventilių (Pav. 1, p. 4) pagal pav. 1 (modeliams, kuriuose nėra išleidimo vamzdžio (neįeina į tiekimo komplektą)).

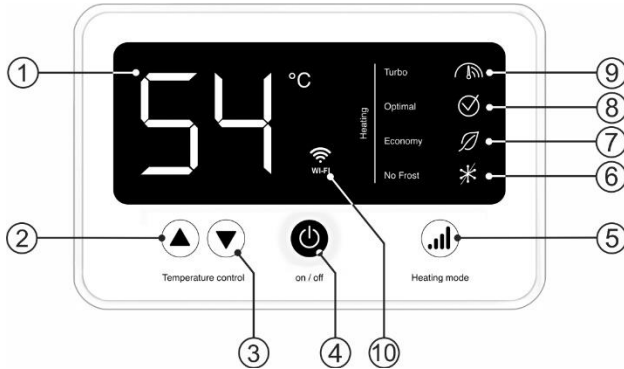
Jeigu vandentiekyje slėgis yra didesnis nei 0,7 MPa, tai prie šalto vandens įvedimo į EVŠ reikia įdiegti prieš apsauginį vožtuvą (vandens tekėjimo kryptimi) tinkamo slėgio mažinimo vožtuvą (neįeina į tiekimo komplektą), siekiant sumažinti vandens slėgį iki normos

9. PRIJUNGIMAS PRIE ELEKTROS TINKLO

Prieš įjungdami vandens šildytuvą prie elektros tinklo, įsitikinkite, kad jo nustatymai atitinka šildytuvo technines charakteristikas..

DĖMESIO! Įsitikinkite prieš jungdami į elektros tinklą, kad EVŠ pripildytas vandeniu!

Vandens šildytuvo įžeminimas privalomas, siekiant užtikrinti jo saugų eksploatavimą. Vandens šildytuvas turi savo tinklo maitinimo laidą su eurošakute ir AIP (opcionaliai). Prijungimui į tinklą pakanka įjungti maitinimo laido šakutę į elektros kontaktinį lizdą, kuris privalo būti su įžeminimo gnybtu. Kontaktinis lizdas privalo būti vietoje, apsaugotoje nuo vandens patekimo ant jos, ir tenkinti reikalavimus ne mažiau IPX4.



Paveikslas 2. Elektrinė valdymo panelė

Paveikslas 2: 1 – LCD ekranas, 2 – mygtukas «▲» Temperature control / kaitinimo temperatūros didinimas, 3 – mygtukas «▼» Temperature control / šildymo temperatūros sumažinimas, 4 – mygtukas «on/off» / įjung./išjung, 5 – mygtukas «Heating mode» / šildymo galingumo parinkimas, 6 – režimo indikacija «No Frost», 7 – «Economy» indiatorius / Minimalus galingumas, 8 – «Optimal» indikatorius/ standartinis galingumas, 9 – «Turbo» indikatorius / maksimalus galingumas, 10 – «Wi-Fi» funkcija.

EVŠ įjungiamas/išjungiamas, paspaudus centrinį mygtuką “on/off” (Pav. 2, p. 4), o ekrane rodoma nustatyta šildymo temperatūra. Po 2,5 sekundžių ekrane rodoma dabartinė vandens temperatūra EVŠ. Šildymo galingumo parinkimas vykdomas valdymo panelės mygtuko «Heating mode» (Pav. 2, p. 5) pagalba. 2 kW režimo metu užsidega "Turbo" indikatoriaus lemputė (Pav. 2, p. 9), 1,3 kW režimo metu - užsidega "Optimal" indikatoriaus lemputė (Pav. 2, p. 8), o 0,7 kW režimo metu - užsidega "Economy" indikatoriaus lemputė (Pav. 2, p. 7). Antifrizas režimo metu užsidega "No Frost" indikatoriaus lemputė (Pav. 2, p. 6).

EVŠ naudojimo metu vartotojas gali reguliuoti vandens kaitinimo temperatūrą dviejų klavišų pagalba «▲» «▼» Temperature control (Pav. 2, p. 2 ir p. 3).

Jei nenaudosite EVŠ žiemos metu ir gali užšalti vandens magistralės ir pats vandens šildytuvas, rekomenduojama išjungti maitinimą ir išleisti vandenį iš EVŠ, kad išvengtų vidinio bako pažeidimą.

Valdymui iš mobiliojo prietaiso vandens šildytuvas turi „Wi-Fi“ funkciją.

1. Įdiekite „Thermex Home“ programą iš „Google Play“ arba „AppStore“. Sukurkite paskyrą.

2. Vienu metu paspauskite ir laikykite 2 ir 3 mygtukus šildytuvo skydelyje (Pav. 2). Atsiras „Wi-Fi“ nuoroda (Pav. 2, p. 10).

3. Programoje „Thermex Home“:

- spustelėkite mygtuką „Pridėti įrenginį“
- iš prietaisų sąrašo pasirinkite „Vandens šildytuvą“
- tada vykdykite programoje pateiktas instrukcijas.

Atsiradus gedimams:

- įsitikinkite, kad mobiliajame įrenginyje įjungta „Wi-Fi“ funkcija,
- įsitikinkite, kad yra interneto ryšys,
- susisieki su savo paslaugų teikėju.

11. TECHNINIS APTARNAVIMAS

Atliekant TA tikrinamas nuovirų EVŠ buvimas. Tuo pačiu metu, pašalinamos nuosėdos iš EVŠ apačios. Nuoviros galima pašalinti nuovirų valymų priemonėmis, arba mechaniniu būdu.

Rekomenduojama po metų nuo EVŠ pajungimo momento atlikti pirmą techninį aptarnavimą specializuotos organizacijos darbuotojais ir pagal nuovirų ir nuosėdų susidarymo intensyvumą nustatyti sekančių TA atlikimo terminus. Šis veiksmas maksimaliai prailgins EVŠ eksploatacijos terminą.

Pirmasis magnio anodo pakeitimas turi būti atliktas ne vėliau kaip per 12 mėnesių nuo EVŠ įdiegimo dienos. Jei garantiniame talone nėra pažymėjimo apie montavimą su montavimo organizacijos antspaudu, laikotarpis skaičiuojamas nuo pirkimo dienos. Norint išlaikyti gamintojo garantiją, būtina periodiškai prižiūrėti ir kasmet pakeisti magnio anodą. Prie anodo keitimo turi būti pridodamas ženklas garantiniame talone, jei jį keičia serviso organizacija, arba pridodamas pirkimo čekis, jei savininkas pakeičia.



DĖMESIO! Nuovirų susidarymas ant vamzdinio elektrinio kaitintuvo gali tapti jo pažeidimo priežastimi.

Pastaba: Vamzdinio elektrinio kaitintuvo pažeidimui dėl nuovirų susidarymo nėra taikomi garantiniai išpareigojimai. Reguliarus techninis aptarnavimas neįeina į gamintojo ir pardavėjo garantinius išpareigojimus.

TA atlikimui reikia atlikti sekančius žingsnius:

- Atjungti EVŠ elektros maitinimą.
- Duoti atvėsti karštam vandeniui arba išnaudoti jį per maišytuvą.
- Atjungti šalto vandens tiekimą į EVŠ.

- Atsukti apsauginį vožtuvą arba atidaryti išleidimo ventilių;
- Ant šalto vandens atvamzdžio arba išleidimo ventilių užmauti guminę žarną, nukreipus jos kitą galą į kanalizaciją.
- Įjungti karšto vandens čiaupą maišytuve ir nuleisti vandenį iš EVŠ per žarną į kanalizaciją.
- Nuimti apsauginį dangtį, atjungti laidus, atsukti ir ištraukti atraminį korpuso flanšą.
- Esant būtinybei išvalyti vamzdinį elektrinį kaitintuvą nuo nuovirų ir pašalinti nuosėdas iš bako.
- Atlikti surinkimą, užpildyti EVŠ vandeniu ir įjungti maitinimą.

Modeliuose su drenažo vamzdžiu pakanka uždaryti šalto vandens padavimą į EVŠ, atsukti drenažo vamzdžio dangtelį ir atidaryti karšto vandens čiaupą. Po to, kai vanduo išsipils, kai kuriam laikui galima atidaryti šalto vandens padavimą į EVŠ, norint papildomai išplauti baką.

Jeigu EVŠ techninį aptarnavimą vykdo specializuota organizacija apie tai serviso talone turi būti padaryta atitinkama žymė.

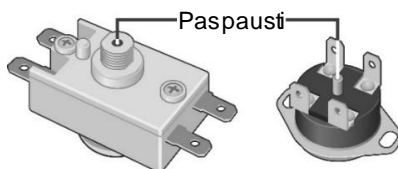
12. GALIMI GEDIMAI IR JŲ ŠALINIMO METODAI.

Gedimas	Galimos priežastys	Pašalinimo būdas
Sumažėjo karšto vandens slėgis iš EVŠ. Šalto vandens slėgis nepakitęs.	Apsauginio vožtuvo įleidžiamosios angos užsikimšimas	Nuimti vožtuvą ir nuplauti jį vandeniu
Padidėjęs šildymo laikas	EVŠ padengtas nuoviromis	Ištraukti nuimamą flanšą ir nuvalyti EVŠ
	Sumažėjo tinklo įtampa	Susisiekti su elektros tinklo eksploatavimo tarnyba.
Dažnas temperatūros jungiklio suveikimas	Nustatyta temperatūra yra arti ribos	Pasukti termostato rankenėlę mažinant temperatūrą (-)
	Termostato vamzdis padengtas nuoviromis	Ištraukti iš EVŠ nuimamą flanšą ir švelniai nuvalyti vamzdį nuo nuovirų.
EVŠ dirba, bet nešildo vandenį	Ventilis (Pav. 1, p. 8) neuždarytas arba sugedo	Uždaryti arba pakeisti ventilių (Pav. 1, p. 8)

<p>Ijungtas į tinklą EVŠ ne šildo vandenį. Nėra kontroliniu galingumo parinkimo lempų apšvietimo</p>	<ol style="list-style-type: none"> 1) Nėra maitinimo įtampos 2) Pažeistas maitinimo laidas 3) Įsijungė arba neįjungtas temperatūros jungiklis 	<ol style="list-style-type: none"> 1) Patikrinkite įtampos buvimą elektros lizde; 2) Kreipkitės į specializuotą aptarnavimo centrą. 3) Atjungti EVŠ nuo elektros tinklo, nuimti apsauginį dangtį, paspausti iki spragtelėjimo temperatūros jungiklio mygtuką (Pav. 2), gražinti apsauginį dangtelį, įjungti maitinimą.
--	--	---

Aukščiau išvardinti gėdimai nėra EVŠ defektai ir vartotojas juos pašalina pats arba specializuotos organizacijos pagalba savo sąskaita.

Jei neįmanoma ištaisyti problemą, naudojant minėtus nurodymus, arba, esant kitoms problemoms, kreipkitės į techninio aptarnavimo centrą.



Paveikslas 2. Temperatūros jungiklio schema

13. ELEKTRINIŲ VANDENS ŠILDYTUVŲ TRANSPORTAVIMAS IR SAUGOJIMAS

Elektrinių vandens šildytuvų transportavimas ir saugojimas vykdomas pagal ženklus įpakavime:



– būtina apsaugoti krovinį nuo drėgmės



– Krovinio trapumas, elgtis atsargiai



Rekomenduojamas temperatūros diapazonas krovinio saugojimui: nuo +10°C iki +20°C



– teisinga krovinio vertikalioji padėtis;

Laikantis EVŠ įrengimo, veikimo ir priežiūros taisyklės, taip pat laikantis vandens kokybės standartus, gamintojas nustato šildytuvui 9 metų tarnavimo laikotarpį nuo EVŠ pirkimo datos.

Vandens šildytuvo sudėtyje nėra pavojingų ir nuodingų medžiagų, tad jeigu reikia ši gaminį galima saugiai perdirbti pagal bendras šildytuvo eksploatavimo šalies normas ir taisyklės.

Utilizuojant EVŠ, reikia laikytis vietinių aplinkosaugos įstatymų ir rekomendacijų.

Gamintojas pasilieka teisę be išankstinio įspėjimo pakeisti EVŠ konstrukciją ir charakteristikas.

15. GAMINTOJO GARANTIJA

Gamintojas suteikia vandens šildytuvui 2 metų garantiją.

Garantijos terminas pradedamas skaičiuoti nuo EVŠ pardavimo datos. Jeigu pirkimo data nenurodyta arba ištaisyta parduotuvės štampe, garantijos terminas pradedamas skaičiuoti nuo EVŠ gamybos datos. Prekės pagaminimo data įrašyta unikaliame serijiniame numeryje, kuris yra identifikacinėje lentelėje ant EVŠ korpuso. Serijinis EVŠ numeris susideda iš trylikos skaitmenų. Trečias ir ketvirtas serijinio numerio skaitmuo - išleidimo metai, penktas ir šeštas - išleidimo mėnesis, septintas ir aštuntas - EVŠ išleidimo diena. Pretenzijos garantijos termino metu priimanos turint šį vadovą su pardavėjo įmonės žymėjimais, ir identifikavimo lentelę ant EVŠ korpuso.

Garantija taikoma tik EVŠ. Apsauginio vožtuvo arba maitinimo laido gedimas ne skaitomi EVŠ gedimais, ir nenumato EVŠ keitimo. Už montavimo ir prijungimo taisyklių laikymąsi atsako pirkėjas (jeigu jis savarankiškai atliko prijungimą), arba montavimo organizacija, kuri atliko prisijungimą. Reguliarus techninis aptarnavimas (TA) ir laiku pakeistas magnio anodas yra ilgalaikio EVŠ darbo sąlyga. Be to gaminys gali būti pašalintas iš garantinio aptarnavimo.

Pirmasis magnio anodo pakeitimas turi būti atliktas ne vėliau kaip per 12 mėnesių nuo EVŠ įdiegimo dienos. Jei garantiniame talone nėra pažymėjimo apie montavimą su montavimo organizacijos antspaudu, laikotarpis skaičiuojamas nuo pirkimo dienos. Norint išlaikyti gamintojo garantiją, būtina periodiškai prižiūrėti ir kasmet pakeisti magnio anodą. Prie anodo keitimo turi būti pridėdamas ženklas garantiniame talone, jei jį keičia serviso organizacija, arba pridėdamas pirkimo čekis, jei savininkas pakeičia.

Gamintojas neatsako už trūkumus, kurie kilo dėl šiame vadove išdėstytų EVŠ montavimo, prijungimo, eksploatavimo ir aptarnavimo taisyklių pažeidimo, t.t. kai trūkumai atsirado dėl netinkamų tinklų parametrų (elektrinių ir vandens tiekimo), kur eksploatuojamas EVŠ, taip pat dėl trečiosios šalies įsikišimo. Pretenzijoms dėl išorinio EVŠ vaizdo gamintojo garantija netaikoma.

16. INFORMACIJA APIE GAMINTOJĄ**Gamintojas: THERMEX heating Technology (Jiangmen) CO., Ltd**

No. 51, Jianshedonglu , Taoyuan town, Heshan City, Guangdong Province, China

ZIP: 529725

Visi modeliai praėjo privalomą sertifikavimą ir atitinka Europos direktyvoms.

**PARDAVIMO ŽENKLAS**

Modelis _____ Serijinis Nr. _____

Pardavimo data « _____ » _____ 20 _____

Pardavėjas: _____

Serviso aptarnavimo centras,

nurodytas pardavėju _____

Įmonės pardavėjo
antspaudas

Gaminys supakuotas, dėl išvaizdos jokių pretenzijų neturiu. Naudotojo vadovą su reikalingomis žymėmis gavau, su eksploatacijos taisyklėmis ir garantijos sąlygomis susipažinau ir sutinku.

Pirkėjo parašas: _____

Mudel	Rate	Veeboileri kasulik maht, l	Soojendamise keskmine aeg, $\Delta T^{\circ}=45^{\circ}\text{C}$ 2 kW	Paigaldus
IF 30 V (comfort) Wi-Fi	30	25	0 h 39 min	vertikaalne
IF 50 V (comfort) Wi-Fi	50	42	1 h 06 min	vertikaalne
IF 80 V (comfort) Wi-Fi	80	67	1 h 45 min	vertikaalne
IF 100 V (comfort) Wi-Fi	100	84	2 h 12 min	vertikaalne
IF 50 H (comfort) Wi-Fi	50	42	1 h 06 min	horisontaalne
IF 80 H (comfort) Wi-Fi	80	67	1 h 45 min	horisontaalne

4. VEEBOILERI KIRJELDUS JA TÖÖPÕHIMÕTE

Veeboileri kere on valmistatud löögikindlast plastikust. Sisepaagil on spetsiaalne klaasportselanist bioklaasportselan kate, mis tagab sisepinna turvalise kaitse keemilise korrosiooni vastu. Siseanuma ja kere vaheline ala on täidetud vahtpolüuretaaniga -kaasaegse ja keskkonnasõbraliku soojusisolatsiooniga, mis hoiab suurepäraselt soojust. IF (comfort) Wi-Fi mudelitel on kaks keermemuhvi: külma vee sisendtoru jaoks (joonis 1, p. 3) sinise rõngaga ja sooja vee väljavoolutori jaoks (joonis 1, p. 2) punase rõngaga, ja on varustatud lisamuhviga (suletud metalltopiga) vee väljavõiguks ja siseanuma loputamiseks (joonis 1, p. 17). Veeboileri eesmisel poolel asetseb juhtimispaneel (joonis 1, p. 16).

Äravadetavatele flantsidele (äärikutele) on paigaldatud: toruküttekehad (elektritennid), termostaadi ja termolüliti näidikud. Elektritenn soojendab vett ja on juhitud termostaadiga, millel on sujuv temperatuuri reguleerimine kuni $+65^{\circ}$ kraadini. Kõikidel mudelitel on elektrijuhtimine sensoorse reguleerimisega. Elektroonika hoiab automaatselt kasutaja määratud vee temperatuuri taset. Termolüliti kaitseb veeboilerit ülekuumenemise eest ning lülitab küttekeha elektrivoolust välja kui veesoojus ületab $+95^{\circ}\text{C}$ (joonis 3).

Turvaventiil (joonis 1, p. 5) täidab vastuklapi funktsiooni, mis takistab vee pääsemist veeboilerist veevõrku juhtudel, kui veesurve veevõrgus langeb ja tugeva kuumutamise tagajärjel vee surve boilerianumas tõuseb, samuti ohutusventiili funktsiooni, mis maandab liigset survet tugeva vee kuumutamise puhul. Maandamiseks liigset survet võib veeboileri töö ajal turvaventiili väljavoolutorust imbuda väheselt määralt vett, mis toimub veeboileri ohutuse tagamiseks. See väljavoolutoru peab jääma ümbritsevas keskkonnas vabaks ja peab olema paigaldatud pidevas püstasendis allasuunas.

Peab olema tagatud vee äravool turvaventiili äravoolutorust kanalisatsiooni (joonis 1, p. 14), seejuures peab veeboileri paigaldamisel olema ette nähtud ka vastav dreenaž (joonis 1, p. 6). Eemaldamiseks katlakivi setteid ja ventiili korrasoleku kontrollimiseks on tarvilik korrapäraselt (vähemalt üks kord kuus) teostada väikese koguse vee väljavalamist läbi turvaventiili kanalisatsiooni. Turvaventiilil on lihtsa avamise jaoks olemas kang (joonis 1, p. 15). Jälgige, et veeboileri töötamisel oleks see kang alati vee äravoolu takistavas asendis.

5. OHUTUSNÕUDED

Veeboileri elektriohutus ning korrosioonivastane kaitse on tagatud vaid kehtivate paigaldusreeglitega vastavuses paigaldatud tõhusa maanduse olemasolul.

Santehnilised torud ja kinnistusarmatuur peavad vastama veevõrgu parameetritele ning omama vastavaid kvaliteedisertifikaate.

Veeboileri paigaldamisel ja kasutamisel ei ole lubatud:

- ühendada seadet vooluvõrguga, kui veeboiler ei ole täidetud veega;
- kaitseklapi eemaldamine, kui toide on sisse lülitatud;
- veeboileri kasutamine ilma maanduseta või veetorude kasutamine maandusena;
- veeboileri ühendamine veevõrguga, mille surve on suurem kui 0,7 MPa;
- ühendada veeboilerit veevõrguga ilma turvaventiiliga;
- tühjendada veeboilerit veest läbi vooliku sisselülitatud toitega;
- kasutada tootja poolt mitte soovitatud varuosasid;
- kasutada veeboileris olnud vett toidu valmistamiseks;
- Kasutada veeboileri jaoks vett, mis sisaldab mehaanilisi lisandeid (liiv, väikesed kivid), mis võivad esile kutsuda veeboileri või turvaventiili rikke;
- muuta veeboileri kandurite paigaldusmõõte või konstruktsiooni;

Veeboileri eksploateerimistemperatuur väliskeskkonnas peab jääma 3°C kuni 40°C piiridesse. Vee külmumine veeboileris miinustemperatuuridel viib seadme rikkeni, mis ei ole kaetud garantiiga.



Pöörake laste tähelepanu sellele, et nad ei mängiks veeboileriga. Veeboiler ei ole ettenähtud kasutamiseks isikute poolt (kaasa arvatud lapsed), kellel on piiratud füüsilised, kompimis- või psüühilised võimed, samuti isikud, kes ei oska kasutada veeboilerit, välja arvatud juhul, kui see toimub veeboileri ohutuse eest vastutavate isikute järelevalve all või nende juhiste kohaselt.

Veeboileri kasutamisel tuleb korrapäraselt seadet üle vaadata, kontrollimaks selle töökorda (plekkide puudumine, kärsahais, sädemed elektrijuhtmetikust jne). Juhul, kui veeboileri on pikka aega kasutamata, vee- või voolukatkestuste ajal tuleb veeboiler vooluvõrgust välja lülitada ja sulgeda külma vee sisendventiil.

6. PAIGALDUS JA ÜHENDAMINE

Kõik paigaldus-, sanitaartehnilised ja elektripaigaldustööd peab teostama vastava ala spetsialist.

7. ASETUS JA PAIGALDUS

Kõik paigaldus-, sanitaartehnilised ja elektripaigaldustööd peab teostama vastava ala spetsialist.

Veeboileri paigaldus teostatakse vastavuses kerel oleva märgiskleebise ning Tabeliga 1:

Vähendamaks soojuskadusid torude kaudu, paigaldage veeboiler võimalikult kasutuskohta lähedale.

Paigalduskoha valikul peab lähtuma veega täidetud boileri kogukaalust. Väikese kandevõimega sein või põrand peavad olema enne tugevdatud. Aukude seina puurimisel peab arvestama sellesse peidetud kaablite, kanalite ja torude asendit.

Seinale paigaldamiseks kasutatakse veeboileri kandureid, mis riputatakse seina sisse kruvitud ankurkonksudele. Konksude kinnitamine seina peab olema teostatud selliselt, et välistada veeboileri kandurite iseeneslikku libisemist.

Tootja ei vastuta ebaõige ankurpoltide paigaldusega ja valikuga seotud veeboileri kukkumise eest.

Veeboileri hooldamise hõlbustamiseks jätke juurdepääsuks elektrilistele osadele äravõetavast flantsist lähima pinnani vähemalt 30 sm vaba ruumi - kõikide mudelite puhul;



TÄHELEPANU! Välistamiseks kasutaja ja (või) kolmandate isikute vara kahjustamist peab veeboileri paigaldus toimuma ruumis, mille põrand on varustatud hüdroisolatsiooni ja dreanaažiga kanalisatsiooni ning mitte mingil juhul mitte paigaldada veeboileri alla esemeid, mis võivad saada veekahjustust. Veeboileri paigaldamisel hüdroisolatsioonita ruumidesse peab veeboileri alla paigaldama kaitsealuse, millel on dreanaaž kanalisatsioonitorudesse.

Juhul, kui veeboiler paigaldatakse kohta, milles on raskendatud tehniline ja garantiihooldus (ülakapid, nišid, lagedevahelised alad jne), teostab veeboileri paigalduse ja mahavõtu kasutaja ise või katab ise töökulud.

Märkus: Kaitsealus ei sisaldu veeboileri tarnekomplektis.

8. ÜHENDAMINE VEEVÕRKU

Veeboilerisse juhitud vesi peab olema eelnevalt puhastatud veefiltriga, mis puhastab vähemalt 200 mkm osakestest.

Paigaldage turva ventiil (joonis 1, p. 5) külma vee sisendi juures (joonis 1, p. 3) - sinise rõngaga sisenditoru - keerates seda 3,5-4 täispööret sisse eelnevalt tihendanud vastava materjaliga (lina, tihendlinde või muuga).

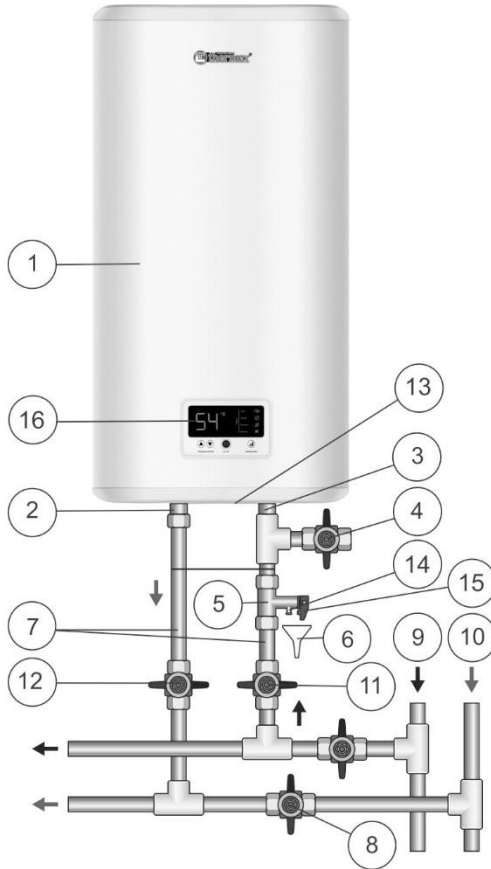
Veeboileri kasutamisel võivad turvaklapi dreanaažiavasse ilmuda tilgad (vee soojendamisel liigse rõhu vähendamine). On soovitatav paigaldada dreanaažiavausesse vastava diameetriga kummi- või silikoontoru, et juhtida niiskus eemale.

Ühendamine veevõrku teostatakse vastavalt joonisele 1 vasest, metallplastikust, plastmassist või spetsiaalsete paindlike veetorude abil. Ei ole lubatud kasutada varem

kasutusel olnud paindlikke torusid. On soovitatav juhtida veeboilerisse vett läbi külmaveetrassil paigaldatud mudafiltri (ei sisaldu tarnekomplekti).



Ei ole lubatud kasutada varem kasutusel olnud paindlikke torusid. Veeboileri kasutamine ilma turvaventilita või teiste tootjate turvaventiliga on keelatud.



Joonis 1. Veeboileri veevõrguga ühendamise skeem

Joonis 1: 1 - veeboiler, 2 - kuumaveemuuhv, 3 - külmaveemuuhv, 4 - äravooluventiil (ei sisaldu komplektis), 5 - turvaventil, 6 - drenaaž kanalisatsiooni (ei sisaldu komplektis), 7 - juurdevoolutorud, 8 - sulgeda ventiil veeboileri kasutamisel, 9 - külmaveetrass, 10 - kuumaveetrass, 11 - külma vee sulgemisventiil, 12 - kuuma vee sulgemisventiil, 13 - kaitsekaas, 14 - kaitseklapi väljalasketoru, 15 - kaitseklappi avamise kang, 16 - juhtimispaneel.

Pärast veeboileri ühendamist veenduge, et veeboileri külma vee sulgurventiil on avatud ja veeboileri kuuma vee sulgurventiil (8) on kinni. Veeboilerist õhu väljalaskmiseks keerake lahti veeboileri külma vee sisendkraan (11), kuuma vee väljavoolukraan (12) ja kuumaveekraan segistil. Veeboileri täielikul täitumisel veega hakkab segisti kuumaveekraanist vesi jooksuma pideva joana. Keerake segistil kuumaveekraan kinni. Juhul, kui veeboiler paigaldatakse kohta, kus ei ole veevõrku, on võimalik juhtida vesi veeboilerisse abianumast, mis asub veeboileri kõrgemast punktist vähemalt 5 meetrit kõrgemal, või pumbajaama abil.

Märkus: Veeboileri kasutamisel hoolduse lihtsustamiseks on soovitatud paigaldada äravooluventiil (joonis 1, p. 4) vastavalt joonisega 1 (mudelite jaoks, mis pole varustatud äravoolumuhviga (ei sisaldu veeboileri tarnekomplektis)).

(kui surve veevõrgus ületab 0,7 MPa, alandamiseks veesurvet normini, paigaldatakse külmavee sisendile vastav veesurvet normini alandav reduktorklapp (ei sisaldu tarnekomplektis)).

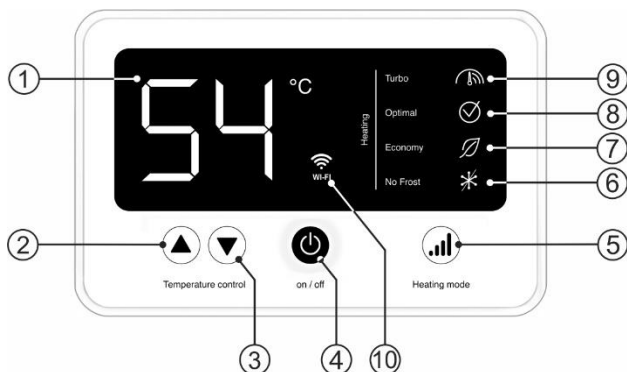
9. VOOLUVÕRKU ÜHENDAMINE

Enne seadme vooluvõrku ühendamist veenduge, et selle märgiskleebisel nimetatud pinge ja sagedus ühtivad kasutatava vooluvõrgu vastavate näitajatega.

TÄHELEPANU! Enne toite sisselülitamist veenduge, et veeboiler on täidetud veega!

Veeboileri ohutuks kasutuseks peab see olema maandatud. Veeboiler on varustatud alalise voolujuhtme ning europistikuga. Pistikupesal peab olema maanduskontakt koos sellega ühendatud maandusjuhtmega. Pistikupesaga peab asetsema niiskuse eest kaitstud kohas või vastama vähemalt IPX4 nõuetele.

10. KASUTUS



Joonis 2. Elektrooniline juhtimispaneel

Joonis 2: 1 - LCD ekraan, 2 - Temperature control ▲ nupp / soojendustemperatuuri suurendamine, 3 - Temperature control ▼ nupp / soojendustemperatuuri vähendamine,

4 - on/off nupp / sisse/välja, 5 - Heating mode nupp / soojendamise võimsuse määramine, 6 – No Frost indikaator, 7 - Economy indikaatori / miinimumvõimsus, 8 - Optimal indikatsioon / standardvõimsus, 9 - Turbo indikaator – maksimumvõimsus, 10 - funktsioon "Wi-Fi".

Veboileri sisse/väljalülitamine toimub keksmine nupu on/off vajutamisega (joonis 2, p. 4), seejuures ekraanil kajastub soojendamise määratud temperatuur. 2,5 sekundi pärast ekraanil kajastub veeboileris oleva vee jooksev temperatuur. Soojendusvõimsuse valik toimub nupu Heating mode abil (joonis 2, p. 5) juhtimispaneelil. 2 kW režiimiga kaasneb Turbo kontroll-lambi indikatsiooniga (joonis 2, p. 9), 1,3 kW - kontroll-lambi Optimal (joonis 2, p. 8), 0,7 kW - kontroll-lambi Economy (joonis 2, p. 7) sisselülitumine. Antifriisi režiimiga kaasneb «No Frost» kontroll-lambi indikatsiooniga (joonis 2, p. 6).

Veeboileri kasutamise ajal saab kasutaja reguleerida vee soojendustemperatuuri kahe nupu ▲ ▼ Temperature control abil (joonis 2, p. 2 ja p. 3).

Kui kasutate veeboilerit talvisel ajal ja on olemas oht, et veetrassid ja veeboiler ise võivad külmuda, on soovitatav lülitada seade vooluvõrgust välja ja valada sellest välja vesi, vältimaks siseanuma vigastust.

Mobiilseadmest juhtimiseks on veesoojendil WiFi-funktsioon.

1. Installige Thermex Home rakendus Google Playst või AppStore'ist. Looge konto.
2. Vajutage ja hoidke samaaegselt kütteseadme paneeli nuppe 2 ja 3 (joonis 2). Ilmub WiFi-tähis (joonis 2, p. 10).

3. Rakenduses Thermex Home:

- klõpsake nuppu "Lisa seade"
- seadmete loendist valige "Veemahuti"
- seejärel järgige rakenduses olevaid juhiseid.

Kui ilmnevad tõrked:

- veenduge, et WiFi-funktsioon oleks teie mobiilseadmest sisse lülitatud,
- veenduge, et Interneti-ühendus oleks olemas,
- pöörduge oma teenusepakkuja poole.

11. TEHNILINE HOOLDUS

Tehnilise hoolduse läbiviimisel kontrollitakse katlakivi olemasolu küttekehal. Samaaegselt eemaldatakse sete, mis võib olla kogunenud anuma põhja. Kui küttekehale on ladestunud katlakivi, seda tohib eemaldada nii katlakivi eemaldusvahendiga kui ka mehaaniliselt. On soovitatav viia läbi esimene tehniline hooldus ühe aasta möödumisel paigaldamisest ning teha seda spetsialistidel ning lähtuvalt katlakivi ja sette ladestumise intensiivsusest ning magneesiumanoodi kulumisest saab kindlaks määrata järgnevate tehniliste hoolduste tähtsust. Üldmainitud soovitus jälgimine pikendab seadme kasutusajaga maksimaalselt.

Magneesiumanood tuleb esimest korda asendada hiljemalt 12 kuu jooksul alates edaspidi veeboiler paigaldamise kuupäevast. Kui garantiikaardil pole paigaldusorganisatsiooni pitseriga paigaldamise kohta märget, arvestatakse periood alates ostukuupäevast. Tootja garantii säilitamiseks on magneesiumanoodi perioodiline hooldus ja iga-aastane asendamine hädavajalik. Anoodi asendamisega peab kaasnema märk garantiikaardil, kui teenindusorganisatsioon vahetab selle välja, või lisatud ostukviitung, kui omanik vahetab selle välja.



TÄHELEPANU! Katlakivi ladestumine küttekehal võib viia selle rikkeni.

Märkus: Küttekeha rike katlakivi ladestumise tõttu ei kuulu garantiikohustuste hulka. Korrapärane tehniline hooldus ei kuulu valmistaja ja müüja garantiikohustuste hulka.

Tehnilise hoolduse läbiviimiseks tuleb toimida järgnevalt:

- lülitada välja veeboileri toide;
- lasta kuumal veel jahtuda või kasutada see ära läbi segisti;
- sulgeda veeõrgu toitekraan;
- keerata lahti turvaventil või avada äravooluventil;
- tõmmata külma vee sisendtorule või väljavõiguventiilile kummist voolik ning suunata selle teine ots kanalisatsiooni;
- avada kuum vee kraan segistil ning lasta veel veeboileris voolata läbi vooliku kanalisatsiooni;
- eemaldada turvakaas, lahutada juhtmed, kruvida lahti ning eemaldada kerelt äravõetav flants;
- vajadusel puhastada elektritenn katlakivist ning eemaldada sete;
- teostada seadme kokkupanek, täita veeboiler veega ning lülitada see vooluvõrku;

Drenaažimuhviga mudelites piisab sulgeda külma vee sissevool, keerata maha metalltopp drenaažimuhvil ja avada kuumaveekraan. Pärast seda, kui vesi on valgunud välja, võib veeboileri paagi lisaloputamiseks avada mõneks ajaks külma vee sissevool.

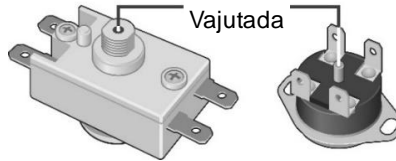
Tehnilise hoolduse läbiviimisel spetsialistide poolt peab garantiitalongi olema tehtud vastav märge.

12. VÕIMALIKUD RIKKED JA NENDE KÕRVALDAMINE

Rike	Võimalik põhjus	Kõrvaldamine
Kuuma vee surve veeboilerist on vähenenud Külma vee surve on endine	Turvaventiili sisselaskeava on umbes	Eemaldada ventiil ning loputada see veega
Vee soojendamise aeg on suurenenud	Küttekehale on ladestunud katlakivi	Võtta küttekeha välja ja puhastada see katlakivist
	Vooluvõrgu pinget on langenud	Pöörduda vooluvõrgu kasutusteenistusse
Termolüliti tihedane rakendumine	Määratud veesoojus on väga lähedal maksimumile	Pöörata termostaadi regulaator temperatuuri vähendamise suunas (-)
	Termostaadi toru on kattunud katlakiviga	Eemaldada veeboilerist äravõetav flants ning ettevaatlikult puhastada toru katlakivist
Veeboiler töötab, kuid ei soojenda vett	Ventiil (joonis 1, p. 8) ei ole suletud või on katki	Sulgeda või vahetada ventiil (joonis 1, p. 8) välja
Elektrivooluga ühendatud veeboiler ei soojenda vett. Juhtimispaneelil puudub indikatsioon	1) vooluvõrgus puudub pinget; 2) voolujuhe on vigastatud; 3) rakendus termolüliti ja see ei ole sisse lülitatud.	1) kontrollige pinget olemasolu elektripesas; 2) pöörduge spetsialiseeritud teeninduskeskusesse. 3) Lahutada veeboiler vooluvõrgust, eemaldada kaitsekaas, vajutada kuni klõpsuni termolüliti nuppu (joonis 2), paigaldada tagasi kaas ja lülitada toide sisse

Ülalnimetatud rikked ei ole veeboileri defektid ning on eemaldatavad kasutaja poolt iseseisvalt või tema kulul.

Juhul, kui riket ei ole võimalik parandada lähtuvalt ülalnimetatud soovitude kohaselt või kui ilmnevad teised rikked, peab pöörduma teenindusse.



Joonis 2. Termolüliti nupu asukoha skeem

13. ELEKTRILISTE VEEBOILERITE TRANSPORT JA SÄILITUS

Elektriliste veeboileri transport ja säilitus peab olema teostatud vastavalt pakendil olevate käitlusmärgistega:



– pakk peab olema kaitstud niiskuse eest



– seade on kergesti purunev ja nõuab ettevaatlikku käitlemist



– soovitatav kauba säilitamise temperatuurivahemik on
+10 kuni +20 °C



– paki õige vertikaalne asend;

14. UTILISEERIMINE

Paigaldus-, kasutus- ja tehnilise hoolduse reeglite järgimisel ning kasutatava vee vastavusel kehtiva standardiga tootja määratud seadme kasutusae on 9 aastat alates veeboileri ostukuupäevast.

Kõik veeboileri koostisosad on toodetud materjalidest, mis vajadusel võimaldavad selle keskkonnakahjutu kasutuselt kõrvaldamise, mis teostatakse vastavalt selle riigi normide ja reeglitega, kus toimub veeboileri kasutamine.

Veeboileri utiliseerimisel peab järgima kohalisse keskkonnakaitse seadusi ja soovitusi.

Tootja jätab endale õiguse viia veeboileri ülesehitusse ja iseloomustusse muudatusi eelneva teatamiseta.

15. VALMISTAJA GARANTII

Valmistaja annab soojaveeboilerile garantii 2 aastat.

Garantiiaga loetakse kuumaveeboileri müügipäevast alates. Müügipäeva puudumisel või muutmisel ning kaupluse templi puudumisel garantiiaga loetakse kuumaveeboileri väljalaskekuupäevast. Veeboileri väljalaskekuupäev on kodeeritud ainulaadsesse seerianumbrisse, mis on toodud veeboileri kerel asuval identifikaatsioonimärgisel. Seerianumber koosneb kolmeteistkümnest numbrist. Seerianumbri kolmas ja neljas number märgistavad boileri väljalaskeaastat, viies ja kuues - väljalaskekuud, seitsmes ja kaheksas - väljalaskepäeva. Pretensioonid võetakse garantiiaja jooksul vastu müügiettevõtte märgetega garantiitalongi ning veeboileri kerel oleva märgiskleebise olemasolul.

Garantii katab ainult soojaveeboilerit. Kaitseklapi või toitejuhtme rikked ei too endaga kaasa veeboileri väljavahetust. Vastutus paigaldamis- ja ühendamisreeglitest kinnipidamise eest lasub ostjal (iseseisva ühendamise puhul) või paigalduse teostanud teenindusettevõttel.

Magneesiumanood tuleb esimest korda asendada hiljemalt 12 kuu jooksul alates edaspidi veeboiler paigaldamise kuupäevast. Kui garantiikaardil pole paigaldusorganisaatsiooni pitsiriga paigaldamise kohta märget, arvestatakse periood alates ostukuupäevast. Tootja garantii säilitamiseks on magneesiumanoodi perioodiline hooldus ja iga-aastane asendamine hädavajalik. Anoodi asendamisega peab kaasnema märk garantiikaardil, kui teenindusorganisaatsioon vahetab selle välja, või lisatud ostukviitung, kui omanik vahetab selle välja.

Valmistaja ei vastuta vigade eest, mis tekivad kasutajapoolse käesolevas juhendis loetletud veeboileri paigaldamise, ühendamise, kasutamise ja hooldamise reeglite rikkumise tulemusena, sealhulgas juhtudel, kui sellised vead tekkisid seadme kasutamisel vee- ja/või elektrivõrgu mittelubatud parameetrite tõttu või kolmandate isikute sekkumise tagajärjel. Garantii ei laiene pretensioonidele veeboileri välimuse kohta.

16. TOOTJA INFO



Tootja: THERMEX heating Technology (Jiangmen) CO., Ltd

No. 51, Jianshedonglu, Taoyuan town, Heshan City, Guangdong Province, China

ZIP: 529725

Kõik mudelid on läbinud kohustusliku sertifitseerimise ja vastavad Euroopa direktiividele.

MÜÜGIMÄRGE


Mudel _____ Seerianumber _____

Müügi kuupäev « _____ » _____ 20 _____

Müügi kuupäev _____

Müügifirma esindaja

allkiri _____

Müügifirma pitser

Seade on komplekteeritud, välisilmele pretensioone ei ole. Sain kätte kasutusjuhendi, millesse on tehtud vajalikud märged, kasutustingimused ja garantiitingimused on mulle teada, nõustun nendega.

Ostja allkiri _____



Bitte lesen Sie vor der ersten Benutzung des Warmwasserspeichers alle in dieser Anweisung aufgeführten Informationen aufmerksam durch.

Sehr geehrte Kunden!

Wir gratulieren Ihnen bei Anschaffung des elektrischen Warmwasserspeichers „THERMEX“. Wir sind überzeugt, dass eine breite Palette an elektrischen Warmwasserspeicher Ihre Anforderungen und Bedürfnisse abhelfen kann. Durch die Anwendung neuer Technologie und die Benutzung der hochwertigen Materialien konnte sich die Marke **THERMEX** die Popularität und das Vertrauen verschaffen

Der Warmwasserspeicher **THERMEX** wurde in strenger Übereinstimmung mit den einheimischen und internationalen Normen entwickelt und hergestellt, die die Zuverlässigkeit und Betriebssicherheit gewährleisten.

Diese Gebrauchsanweisung betrifft folgende THERMEX-Ausführungen: IF (comfort) Wi-Fi. Der Name des von Ihnen gekauften Warmwasserspeichers ist im Abschnitt „Verkauf-Vermerk“ und auf dem sich an dem Gehäuse des Warmwasserspeichers befindlichen Identifikationsschild angeben.

BESTIMMUNG

Der Warmwasserspeicher (nachfolgend „Speicher“ genannt) ist für die Warmwasserversorgung der Wohn- und Betriebsobjekte, die über eine Kaltwasserleitung mit notwendigen Parametern verfügen bestimmt.

Der Speicher ist in einem geschlossenen beheizbaren Raum zu installieren und ist nicht für den stetigen Durchlaufbetrieb vorgesehen.

Der Warmwasserspeicher (nachfolgend „Speicher“ genannt) ist für die Warmwasserversorgung der Wohn- und Betriebsobjekte, die mit der Kaltwasserleitung mit einem Druck von min. 0,05 MPa und max. 0,7 MPa ausgestattet sind.

LIEFERUMFANG

1. Warmwasserspeicher	1 St.
2. Sicherheitsventil Typ GP	1 St.
3. Bedienungsanleitung	1 St.
4. Verpackung	1 St.
5. Befestigungsanker	1 Satz

2. TECHNISCHE GRUNDDATEN

Die elektrische Spannung von allen Typen und Ausführungen der elektrischen Warmwasserspeicher soll 230 B $\pm 10\%$ betragen. Die Frequenz der Speiseleitung ist 50 Hz $\pm 1\%$. Das Innentankvolumen und die Heizkörperleistung sind in der Identifikationstabelle am Gehäuse des Geräts angegeben. Der Gewindedurchmesser der Wasser-einlass- und -auslassstutzen ist G1/2.

Der Hersteller behält sich das Recht vor, die Ausstattung, Ausführung und Eigenschaften des Warmwasserspeichers ohne Voranmeldung zu ändern.

Tabelle 1

Bezeichnung	Durchschnittliche Heizzeit um $\Delta T=45^{\circ}\text{C}$ bei einer Leistung von 2,0 kW
IF 30 V (comfort) Wi-Fi	0 stunden 39 min.
IF 50 V (comfort) Wi-Fi	1 stunden 06 min.
IF 80 V (comfort) Wi-Fi	1 stunden 45 min.
IF 100 V (comfort) Wi-Fi	2 stunden 12 min.
IF 50 H (comfort) Wi-Fi	1 stunden 06 min.
IF 80 H (comfort) Wi-Fi	1 stunden 45 min.

BESCHREIBUNG UND FUNKTION DES WARMWASSERSPEICHERS

Das Außengehäuse des elektrischen Warmwasserspeichers ist aus schlagfestem Kunststoffausgeführt. Die Innenbehälter haben eine Spezialbeschichtung aus Vitroporzellan, die die Innenfläche vor der chemischen Korrosion sicher schützen. Der Raum zwischen dem Außengehäuse und den Innenbehältern ist mit Polyurethanschaum, einer modernen umweltfreundlichen Wasserdichtung mit den besten Wärmeschutzeigenschaften gefüllt. Diese Ausführungen haben zwei Gewindestutzen: den Kaltwassereinlass (Bild 1, Ziffer 3) mit dem blauen Ring und den Warmwasserauslass (Bild 1, Ziffer 2) mit dem roten Ring. An der Vorderseite des elektrischen Warmwasserspeichers befindet sich in allen Ausführungen das Bedienfeld (Bild 1, Ziffer 16).

Am abnehmbaren Flansch sind ein elektrischer Rohrheizer sowie Thermostat- und Thermostatsensoren montiert. Der elektrische Rohrheizer dient zur Wasserheizung und ist thermostatgesteuert, wobei der Thermostat stufenweise auf bis zu $+65^{\circ}\text{C}$ eingestellt wird. Alle Ausführungen werden mittels des elektronischen Bedienfelds gesteuert. Die Elektronik erhält die Wassertemperatur auf dem von dem Nutzer eingestellten Niveau aufrecht. Der Thermostatschalter dient zum Schutz des elektrischen Warmwasserspeichers vor der Überhitzung und schaltet den elektrischen Warmwasserspeicher vom Netz bei der Überschreitung der Wassertemperatur von $+95^{\circ}\text{C}$ (Bild 3).

Der Sicherheitsventil (Bild 1, Ziffer 5) funktioniert als Rücklaufventil. Er läßt das Wasser aus dem Warmwasserspeicher in die Wasserleitung nicht reinfließen, falls gleichzeitig der Druck in der Wasserleitung abfällt und der Druck im Warmwasserspeicher steigt, indem das Wasser stark erhitzt. Während des Betriebes des Speichers kann das Wasser aus dem Auslaufrohr des Sicherheitsventils zur Überdruckabsenkung absickern. Das geschieht zur Sicherheit des Warmwasserspeichers. Dieses Auslassrohr ist für die Umluft offen zu erhalten und ist ständig nach unten zu richten und soll sich in der frostfreien Umgebung befinden.

Es ist notwendig, den Wasserzufuhr aus dem Auslaufrohr des Sicherheitsventils (Bild 1, Ziffer 14) in das Abwassersystem zu sichern. Dazu ist bei Installation des Speichers eine entsprechende Drainage vorzusehen (Bild 1, Ziffer 6).

Es ist notwendig, eine Menge Wasser über das Auslaufrohr des Sicherheitsventils in das Abwassersystem regelmäßig (mindestens einmal im Monat) zur Beseitigung der Kalkablagerung und zur Funktionsprüfung des Sicherheitsventils auslaufen zu lassen. Zum Öffnen ist der Sicherheitsventil mit einem Griff ausgestattet (Bild 1, Ziffer 15). Während des Betriebes des Warmwasserspeichers ist der Griff in der Zu-Position zu stehen.

SICHERHEITSMASSNAHMEN

Die elektrische Sicherheit des Speichers werden nur bei effektiver Erdung, die gemäß den Normen für Montage von elektrischen Geräten gemacht wurde, gewährleistet.

Der Sanitäranschluss und der Absperrarmatur müssen den Parametern der Wasserleitung entsprechen und über die notwendige Qualitätszertifikate verfügen.

Während der Installation und des Betriebs des Warmwasserspeichers ist nicht zugelassen:

- den Warmwasserspeicher an das Elektronetz anzuschließen, wenn er mit Wasser nicht gefüllt ist;
- die Schutzdecke vom eingeschalteten Gerät abzunehmen;
- den Warmwasserspeicher ohne Erdung in Betrieb zu nehmen;
- den Warmwasserspeicher an die Wasserleitung mit Druck von über 0,7 MPa anzuschließen;
- den Warmwasserspeicher an die Wasserleitung ohne Sicherheitsventil anzuschließen;
- das Wasser aus dem Warmwasserspeicher bei eingeschalteter Netzversorgung abzugeben;
- Ersatzteile, die vom Hersteller nicht empfohlen sind, einzubauen;
- das Wasser aus dem Warmwasserspeichers zum Kochen zu nutzen;
- Wasser, das mit Fremdstoffen (Sand, kleine Steine) belastet ist, zu nutzen, denn sie können die Funktion des Warmwasserspeichers und des Sicherheitsventils stören.
- Konstruktion und Befestigungsmaß der Konsolen des Speichers zu ändern.

Die Umgebungstemperatur, bei der der Warmwasserspeicher benutzt wird, soll zwischen 3°C und 40°C liegen. Ausfrieren von Wasser im Speicher bei Minustemperatur kann Betriebsausfall des Geräts zur Folge haben. Das ist kein Garantiefall.



Weisen Sie Ihren Kindern darauf hin, dass sie mit dem Warmwasserspeicher nicht spielen dürfen. Der Speicher soll nicht von Menschen (auch Kinder) mit körperlichen, taktilen oder psychischen Einschränkungen, sowie von Menschen, die mit dem Speicher nicht umgehen können, benutzt werden. Ausgenommen sind Fälle, wenn das unter Überwachung oder nach Anweisungen der Person, die für die Sicherheit des Warmwasserspeichers verantwortlich ist, erfolgt.

INSTALLATION UND ANSCHLUSS

Alle Installations-, Installateur- und Elektroarbeiten müssen durch geschultes Personal abgewickelt werden.

AUFSTELLUNG UND INSTALLATION

Die Aufstellung des Speichers erfolgt gemäß der am Gehäuse gekennzeichneten Markierung und in der Tabelle angegebenen Daten:

Маркировка	Austellung
IF 30 V (comfort) Wi-Fi	Senkrechte Montage, Stutzen nach unten;
IF 50 V (comfort) Wi-Fi	
IF 80 V (comfort) Wi-Fi	
IF 100 V (comfort) Wi-Fi	
IF 50 H (comfort) Wi-Fi	Waagerechte Montage, Stutzen nach links
IF 80 H (comfort) Wi-Fi	

Empfehlenswert ist, den Speicher in maximaler Nähe von der Stelle der Warmwasserverwendung aufzustellen, um Warmverluste in der Wasserleitung zu reduzieren.

Bei Bohren der Löcher in die Wand muss man die Anordnung der angelegten Kabel, Kanäle und Röhre berücksichtigen. Besitzen die Wände und der Boden ungenügende Tragfähigkeit, so müssen sie sachgerecht befestigt werden.

Der elektrische Warmwasserspeicher wird an den Gehäusekonsolen an den an der Wand zu befestigenden Ankerhaken gehängt. Die Montage der Haken in der Wand soll die spontane Bewegung der Konsolen ausschließen.

Zur Wartung des der elektrischen Warmwasserspeichers soll der Abstand zwischen dem Schutzdeckel und der nächsten Oberfläche in der Richtung der Achse des abnehmbaren Flansches für alle Ausführungen zumindest 30 cm betragen;



Um die Beschädigung des Vermögens des Benutzers und (oder) des Dritten durch Mängel des Warmwasserversorgungssystems zu vermeiden, soll der Speicher in einem Raum mit Bodenabdichtung und Drainage in Abwasserleitung installiert werden. Die wasserempfindlichen Gegenstände sollen unter dem Speicher nicht gestellt werden. Wird der Speicher in einem nicht geschützten Raum installiert, so ist eine Bodenwanne (nicht im Lieferumfang) mit Drainage in Abwasserleitung aufzustellen.

Wird der Speicher an für Wartung und Service schwer zugänglichen Stellen (Halbgeschoss, Mauernische, Zwischendecke u.a.) aufgestellt, so wird die Montage und die Demontage des Speichers durch den Kunden oder auf seinen Kosten durchgeführt.

Anmerkung: Die Bodenwanne ist im Lieferumfang des elektrischen Warmwasserspeichers nicht enthalten.

WASSERANSCHLUSS

Verstellen Sie das Sicherungsventil (Bild 1, Ziffer 5) am Kaltwassereinlass (Bild 1, Ziffer 3), mit dem blauen Ring markiert, indem Sie es um 3,4 bis 4 Umdrehungen verdrehen und den Anschluss mit einem beliebigen Dichtungsmaterial (Lein, Gewindeabdichtungsband u.a.) abdichten.



Es ist verboten, den Speicher ohne Sicherheitsventil zu benutzen oder das Sicherheitsventil eines anderen Herstellers einzubauen.

Während des Betriebs des elektrischen Warmwasserspeichers können Sie sehen, dass einzelne Tropfen aus dem Drainageschnabel des Sicherungsventils heraustreten (Überdruckabbau bei der Wassererhitzung). Es wird empfohlen, an den Drainageschnabel einen Gummi- oder Silikonschlauch mit entsprechendem Durchmesser zur Wasserableitung anzuschließen.

Der Wasseranschluss erfolgt gemäß Abb. 1 mittels Kupfer-, Kunststoffverbund- oder Kunststoffrohr, sowie mittels einer speziellen flexiblen Verbindung. Es ist verboten, gebrauchte flexible Verbindung zu verwenden. Es wird empfohlen, Wasser zum elektrischen Warmwasserspeicher durch einen Schmutzfilter an der Kaltwasserleitung zu leiten (nicht im Lieferumfang enthalten).

Bild 1. Wasseranschluss

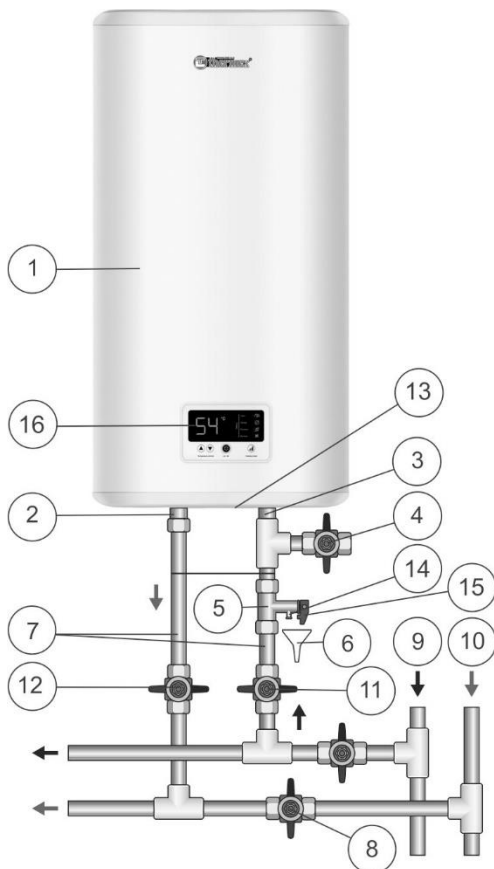


Bild 1: 1 – Speicher, 2 – патрубок горячей воды, 3 – Kaltwasserstutzen, 4 – Ablassventil, 5 – Sicherheitsventil, 6 – Drainage zur Entwässerung, 7 – Leitung, 8 – während des Betriebs des Speichers Ventil absperren), 9 – Kaltwasserleitung, 10 – Warmwasserleitung, 11 – Kaltwasser-Absperrventil, 12 – Warmwasser-Absperrventil, 13 – Schutzdecke, 14 – Ablassrohr des Sicherungsventils, 15 – Griff zum Öffnen des Sicherungsventils, 16 – Bedienfeld.

Nach Wasseranschluss öffnen Sie den Kaltwasserversorgungsventil (Bild 1, Ziffer 11), Warmwasserzufuhrventil (Bild 1, Ziffer 12) und den Warmwasserhahn am Mischbatterie, um den Speicher zu entlüften. Sobald der Warmwasserspeicher mit Wasser gefüllt wird, läuft das Wasser aus Warmwasserhahn blasenfrei aus. Dann ziehen Sie den Warmwasserhahn zu.

Wird der Speicher an einer Stelle ohne Wasserrohrleitung anmontiert, so kann das Wasser in den Speicher aus einem zusätzlichen Behälter mittels Pumpe oder aus einem Behälter, der in Höhe von 5 m von dem oberen Rand des Speichers aufgestellt wird, zugeführt werden.

Anmerkung: Für eine einfachere Wartung des elektrischen Warmwasserspeichers bei dem Betrieb wird empfohlen, ein Ablassventil (Bild 1, Ziffer 4) in Übereinstimmung mit Bild 1 zu installieren (für die mit dem Ablassventil nicht ausgestatteten Ausführungen (nicht im Lieferumfang des elektrischen Warmwasserspeichers enthalten)).

Wenn der Wasserrohrleitungsdruck 0,7 MPa übersteigt, ist ein Druckreduzierer-ventil (nicht im Lieferumfang des elektrischen Warmwasserspeichers enthalten) bei Kaltwassereintritt vor dem Sicherheitsventil zur Verringerung des Kaltwasserdrucks bis zur Drucknorm einzubauen.

ELEKTRISCHER ANSCHLUSS



Vor der elektrischen Inbetriebnahme stellen Sie sicher, dass der Warmwasserspeicher mit Wasser gefüllt ist.

Der elektrische Warmwasserspeicher ist mit einem Standard-Netzkabel mit Stecker ausgestattet.

Die Steckdose soll mit einer Erdklemme ausgestattet werden und sich an einer wassergeschützten Stelle befinden.

Die Leistung des Geräts ist 2000 W. Die Steckdose und ihre Versorgungleitung sind für eine Nennleistung von min. 2000 W auszulegen.

Stecken Sie den Stecker in die Steckdose.

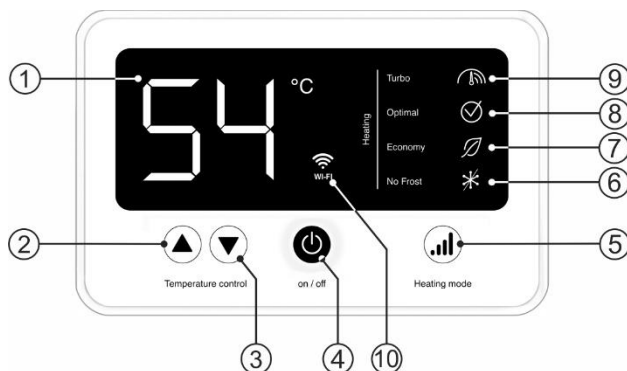
Bild 2. Elektronisches Bedienfeld

Bild 2: 1 – LCD-Display, 2 – knopf «▲» Temperature control / Erhöhung der Heiztemperatur, 3 – knopf «▼» Temperature control/ Reduzierung der Heiztemperatur, 4 – knopf «on/off» / aktivieren/deaktivieren, 5 – knopf «Heating mode» / Einstellung der Heizleistung, 6 – modus knopf «No Frost», 7 – knopf «Economy» / Mindestleistung, 8 – knopf «Optimal» / Standardleistung, 9 – knopf «Turbo» / Maximalleistung, 10 - "Wi-Fi" – Funktion.

Das Ein-/Ausschalten des elektrischen Heizgeräts erfolgt über die mittlere Taste der Bedienleiste «on/off» (Abb. 2, p.4), die vorgegebene Heiztemperatur wird auf dem Display angezeigt. Nach 2,5 Sekunden wird die aktuelle Wassertemperatur des elektrischen Wasserwerfers angezeigt. Die Auswahl der Heizleistung erfolgt über den knopf «Heating mode» (Abb. 2, p.5), im Dashboard. Modus 2 kW mit Anzeige der Kontrolllampe «Turbo» (Abb. 2, p.9), Modus 1.3 kW mit Anzeige der Kontrolllampe «Optimal» (Abb. 2, p.8), Modus 0.7 kW mit Anzeige der Kontrolllampe «Economy» (Abb. 2, p.7).

Während des Betriebs des elektrischen Wasserheizers kann der Benutzer die Heiztemperatur mit zwei Tasten einstellen «▲» «▼» Temperature control (Abb. 2, p.2 u p.3).

Wenn Sie den elektrischen Warmwasserspeicher in der Winterzeit nicht verwenden und die Gefahr besteht, dass die Wasserleitungen und der Warmwasserspeicher selbst zufrieren, wird empfohlen, ihn vom Netz zu trennen und Wasser daraus abzulasen, damit der Innenbehälter nicht beschädigt wird.

Zur Steuerung von einem mobilen Gerät verfügt der Warmwasserbereiter über eine Wi-Fi-Funktion.

1. Installieren Sie die Thermex Home-App von Google Play oder AppStore. Ein Konto erstellen.

2. Halten Sie gleichzeitig die Tasten 2 und 3 auf dem Bedienungsfeld gedrückt (Abb. 2). Die Wi-Fi-Anzeige wird angezeigt (Abb. 2, p. 10).

3. In der Thermex Home App:

- Klicken Sie auf die Schaltfläche "Gerät hinzufügen"
- Wählen Sie "Warmwasserbereiter" aus der Liste der Geräte
- Folgen Sie dann den Anweisungen in der App.

Wenn Fehler auftreten:

- Stellen Sie sicher, dass die Wi-Fi-Funktion auf Ihrem Mobilgerät aktiviert ist.
- Stellen Sie sicher, dass eine Internetverbindung besteht.
- Wenden Sie sich an Ihren Anbieter.

WARTUNG

Die regelmäßige Wartung und rechtzeitiger Austausch der Magnesiumanode sind wichtige Voraussetzungen für die lange Lebensdauer der Warmwasserspeicher. Bei der Nichterfüllung dieser Vorschriften wird die Haftung für die Garantiewartung ausgeschlossen. Die Wartung und der Austausch der Magnesiumanode unterliegen den Garantieverpflichtungen vom Hersteller nicht

Bei der Durchführung der Wartungsarbeiten wird der Zustand der Magnesiumanode und das Auftreten der Kesselsteinablagerungen am Rohrheizkörper geprüft. Gleichzeitig werden Kalkrückständen entfernt, die sich im unteren Teil des Speichers bilden können.

Der erste Austausch der Magnesiumanode muss spätestens 12 Monate nach dem Datum der Installation der Speicher erfolgen. Wenn auf der Garantiekarte keine Kennzeichnung der Installation mit dem Siegel der Installationsorganisation angegeben ist, wird der Zeitraum ab dem Kaufdatum berechnet. Eine regelmäßige Wartung und ein jährlicher Austausch der Magnesiumanode sind unerlässlich, um die Herstellergarantie aufrechtzuerhalten. Der Austausch der Anode muss im Falle eines Ersatzes durch eine Serviceorganisation mit einer Markierung auf der Garantiekarte oder im Falle eines Ersatzes durch den Eigentümer mit einer beigefügten Kaufquittung versehen sein.



Die Ansammlung von Kesselstein auf dem Rohrheizkörper kann die Beschädigung zur Folge haben.

Die Beschädigung des Rohrheizkörpers ist kein Garantiefall. Die Garantieverpflichtungen des Herstellers und des Verkäufers umfassen die regelmäßige Wartung nicht.

Bei Durchführung der Wartungsarbeiten:

- den Speicher abschalten und vom Stromnetz trennen.
- das Warmwasser abkühlen oder abfließen lassen.
- Kaltwasserzufuhr absperrern.
- das Sicherheitsventil entfernen oder das Entleerungsventil öffnen;
- den Gummischlauch auf das Kaltwasserzufuhrrohr aufsetzen und das zweite Schlauchende an die Abwasserleitung anschließen; Warmwasserhahn aufdrehen und den Speicher über den Schlauch entleeren.
- Schutzdecke abnehmen, Kabel abtrennen, Auflagerflansch losschrauben und aus dem Gehäuse rausnehmen.
- Rohrheizkörper gegebenenfalls vom Kesselstein reinigen und die Kalkablagerungen aus dem Behälter entfernen.
- Alle Teile zusammenbauen, den Speicher mit Wasser füllen und einschalten.

In den Ausführungen mit einem Drainagestutzen reicht es aus, den Kaltwasserzulauf zum elektrischen Warmwasserspeicher abzustellen, den Stopfen am Drainagestutzen abzudrehen und den Warmwasserhahn zu öffnen. Wenn das Wasser abgelassen ist, kann man Kaltwasser zum elektrischen Warmwasserspeicher einige Zeit zulaufen lassen, damit der Behälter zusätzlich gespült wird.

Bei der Wartung des elektrischen Warmwasserspeichers durch ein Fachunternehmen ist im Wartungszettel der entsprechende Vermerk zu setzen.

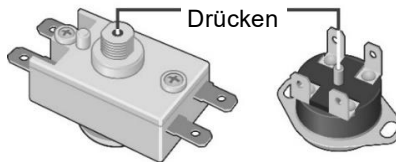
STÖRUNGEN UND BEHEBUNG.

Störung	Ursache	Abhilfe
Druck des warmen Wasser im Speicher verminderte sich. Kaltwasserdruck unverändert geblieben	Einlaufverstopfung des Sicherheitsventils	Sicherheitsventil abnehmen und spülen
Verlängerte Aufheizzeit	Rohrheizkörper ist mit Kesselstein bedeckt	Flansch herausnehmen und Rohrheizkörper reinigen
	Spannungsabfall im Stromnetz	Wenden Sie sich an die Stromversorgungsstelle
Thermoschalter schaltet oft ein	Die vorgewählte Temperatur liegt dem oberen Grenzwert nah.	Mit der Taste «Temperature» Temperatur herunterstellen
	Thermostatrohr ist mit Kesselstein belegt.	Den Fußflansch aus dem elektrischen Warmwasserspeicher herausnehmen und den Kesselstein aus dem Rohr vorsichtig entfernen

Der elektrische Warmwasserspeicher ist im Betrieb, erwärmt jedoch das Wassernicht	Das Ventil (Bild 1, Ziffer 8) ist nicht geschlossen oder ist ausgefallen	Das Ventil schließen oder austauschen (Bild 1, Ziffer 8)
Speicher ist eingeschaltet, aber heizt das Wasser nicht. Keine Anzeige am Bedienfeld	1) Keine Spannung im Stromnetz; 2) Netzkabel ist beschädigt.	1) Prüfen Sie, ob die Steckdose unter Spannung steht; 2) Wenden Sie an den Service-Dienst.

Die oben genannten Störungen sind keine Defekte des Speichers und können vom Benutzer selbst behoben werden

Bild 3. Lageplan der thermoschaltertaste



TRANSPORT UND LAGERUNG DER ELEKTRISCHEN WARMWASSERSPEICHER

Der Transport und die Lagerung der elektrischen Warmwasserspeicher soll in Übereinstimmung mit den auf der Verpackung angebrachten Handhabungshinweisen erfolgen:



— Feuchtigkeitsschutz;



— Vorsicht, fragile Ware;



— Empfohlene Lagerungstemperaturen: von +10°C bis zu +20°C;



— Richtige Senkrechtsstellung der Ware.

ENTSORGUNG

Die Betriebsdauer des Speichers, die vom Hersteller festgelegt wird, beträgt 9 Jahre ab Verkaufsdatum, vorbehalten, dass alle Installations-, Betriebs- und Wartungsvorschriften eingehalten wurden und die Qualität des Betriebswassers den gültigen Normen entspricht.

Bei der Entsorgung des elektrischen Warmwasserspeichers sind lokale Umweltgesetze und -empfehlungen einzuhalten.

Der Hersteller behält sich das Recht vor, den Aufbau und die Eigenschaften des elektrischen Warmwasserspeichers ohne Voranmeldung zu ändern.

GARANTIE DES HERSTELLERS

Die Garanzzeit des Herstellers für Warmwasserspeicher beträgt zwei Jahren.

Die Garanzzeit beginnt ab Verkaufsdatum. Wenn das Verkaufsdatum oder der Stempel des Händlers nicht vorhanden sind, läuft die Garanzzeit ab Herstellungsdatum. Die Information über Herstellungsdatum ist in einer unikalen Seriennummer auf dem am Gehäuse anmontierten ID-Schild verschlüsselt. Die Seriennummer besteht aus 13 Ziffern. Die dritte und die vierte Ziffer codieren das Jahr, fünfte und sechste - den Monat, siebente und achte - Tag. Während der Garanzzeit werden Ansprüche angenommen, nur wenn die Bedienungsanleitung mit Vermerken des Händlers vorgelegt wird und der Schild am Gehäuse des Speichers vorhanden ist.

Die Garantie deckt nur den Warmwasserspeicher. Der Defekt des Sicherungsventils oder des Netzkabels führen nicht zum Austausch elektrischen Warmwasserspeichers. Die Verantwortung für die Einhaltung der Installations- und Anschlussvorschriften übernimmt der Benutzer (falls er die Installations- und Anschlussarbeiten selbst durchführt) oder die Installationsfirma, die den Speicher installiert und angeschlossen hat.

Der erste Austausch der Magnesiumanode muss spätestens 12 Monate nach dem Datum der Installation der Speicher erfolgen. Wenn auf der Garantiekarte keine Kennzeichnung der Installation mit dem Siegel der Installationsorganisation angegeben ist, wird der Zeitraum ab dem Kaufdatum berechnet. Eine regelmäßige Wartung und ein jährlicher Austausch der Magnesiumanode sind unerlässlich, um die Herstellergarantie aufrechtzuerhalten. Der Austausch der Anode muss im Falle eines Ersatzes durch eine Serviceorganisation mit einer Markierung auf der Garantiekarte oder im Falle eines Ersatzes durch den Eigentümer mit einer beigefügten Kaufquittung versehen sein.

Bei der Installation und Bedienung des Speichers soll der Benutzer die Vorschriften, die eine einwandfreie Funktion des Speichers während der Garanzzeit sichern, einhalten:

- Sicherheitsmaßnahmen und Vorschriften zu Installation, Anschluss, Bedienung, Wartung, die in dieser Bedienungsanleitung aufgeführt sind, einhalten;
- Mechanische Beschädigungen durch nachlässige Lagerung, Transport und Installation ausschließen;
- Gefrieren von Wasser im Innenbehälter ausschließen;
- Wasser ohne mechanische Fremdstoffe und chemische Beimischungen beim Erwärmen verwenden (s. Ziffer 5);
- den Speicher mit dem fehlerfreien mitgelieferten Sicherheitsventil betreiben. (s. Ziffer 5).

Der Hersteller trägt keine Verantwortung für Mängel, die von der Verletzung der Anweisungen zu Installation, Bedienung und Wartung durch den Benutzer verursacht wurden, u.a. wenn die Mängel wegen unzulässigen Netzparameter des Netzanschlusses (Strom und Wasserleitung) oder durch Eingriff des Dritten entstanden sind. Die Garantie des Herstellers erstreckt sich nicht auf die Ansprüche auf das Äußere des Speichers.


Reparatur, Austausch von Bauteilen und Ersatzteilen während der Garantiezeit verlängern die gesamte Garantiezeit nicht. Die Garantie für ersetzte oder reparierte Bauteile und Ersatzteile beträgt einen Monat.

ANGABEN ZUM HERSTELLER

Hersteller:

THERMEX heating Technology (Jiangmen) CO., Ltd

No. 51, Jianshedonglu, Taoyuan town, Heshan City, Guangdong Province, PRC

 **Alle Modelle sind gesetzlich zugelassen und entsprechen den Richtlinien.**

VERKAUF-VERMERK

Modell _____ Seriennr _____

Verkaufsdatum « _____ » _____ 20 _____ r.

Verkäufer: _____

Unterschrift des Vertreters

des Verkäufers _____



Die Ware ist komplett ausgestattet. Ich habe keine Ansprüche auf die Geräteübersicht. Ich habe die Bedienungsanleitung mit erforderlichen Vermerken bekommen. Ich habe die Gebrauchsanweisungen und Garantiebedingungen zur Kenntnis genommen und ihnen zuerkannt.

Unterschrift des Käufers _____



Voor het eerste gebruik van de boiler lees aandachtig deze handleiding

NL

GEACHTE KOPER!

Wij feliciteren u van harte met de aankoop van boiler THERMEX. We zijn ervan overtuigd dat breed assortiment aan onze elektrische boilers voldoet aan alle Uw behoeften. Implementatie van moderne technologieën en materialen van de hoogste kwaliteit gedurende vervaardiging van toestellen hebben populariteit en vertrouwen bepaald voor handelsmerk THERMEX.

Electrische boilers THERMEX zijn ontwikkeld en geproduceerd streng in overeenstemming met de internationale standaarden, die betrouwbaarheid en veiligheid van exploitatie garanderen.

Deze handleiding geldt voor de volgende modellen van THERMEX: IF (comfort) Wi-Fi. Benaming van het model van door u aangekochte boiler staat in artikel 'Verkoopnota' en op het identificatiebordje op het lichaam van het apparaat.

BESTEMMING

Elektrische boiler (daarna in de tekst - EB) is bestemd voor voorziening met heet water van huishoudelijke en industriële objecten, die magistraal van koude watervoorziening hebben met nodige parameters.

EB moet geëxploiteerd worden in gesloten en verwarmde ruimtes en is niet bestemd voor het werk in doorstroomregime.

Electrische boiler (daarna in de tekst - EB) is bestemd voor voorziening met heet water van huishoudelijke en industriële objecten, die leidingen voor koud water hebben met de druk van niet minder dan 0.05 MPa en niet meer dan 0.7 MPa.

GELEVERDE SET

- | | |
|---|--------|
| 1. Boiler | 1 stuk |
| 2. Veiligheidsventiel type GP | 1 stuk |
| 3. Handleiding | 1 stuk |
| 4. Verpakking | 1 stuk |
| 5. Ankers voor bevestigingsmiddelen | 1 set |

VOORNAAMSTE TECHNISCHE KARAKTERISTIEKEN

Voedingsspanning van alle types en modellen van EB moet zijn binnen de limieten van 230 V $\pm 10\%$. Voedingsnetfrequentie is 50Hz $\pm 1\%$. Volume van de binnentank en het vermogen van verwarmingselement staan op het identificatiebordje op het lichaam van de toestel. Draaddiameter van waterinlaat- en uitlaatmondstukken – G1/2.

De producent behoudt zich het recht voor om opties, constructie en karakteristieken van de boiler aan te passen zonder voorafgaande kennisgeving.

Markering	Gemiddelde opwarmtijd op $\Delta T=45^{\circ}\text{C}$ bij vermogen van 2,0 kWt
IF 30 V (comfort) Wi-Fi	0 u. 39 min.
IF 50 V (comfort) Wi-Fi	1 u. 06 min.
IF 80 V (comfort) Wi-Fi	1 u. 45 min.
IF 100 V (comfort) Wi-Fi	2 u. 12 min.
IF 50 H (comfort) Wi-Fi	1 u. 06 min.
IF 80 H (comfort) Wi-Fi	1 u. 45 min.

BESCHRIJVING EN WERKINGSPRINCIPE VAN EB

Buitenhulling van EB is vervaardigd uit schokbestendig plastic. Binnentanken hebben speciale coating – biokristallijn porselein, dat veilig de binnenkant beschermt tegen chemische corrosie. De ruimte tussen buitenomhulling en binnentanken is gevuld met polyurethaan – moderne, ecologisch pure thermische isolatie, die de beste karakteristieken heeft van warmtebesparing. Desbetreffende modellen hebben twee geschroefde spuitmonden: voor koud waterinlaat (Figuur 1, punt 3) met een blauwe ring en heet wateruitlaat (Figuur 1, punt 2) – met een rode ring. Op de voorkant van EB, in alle modellen, bevindt het bedieningspaneel zich (Figuur 1, punt 16).

Een buisvormige elektrische verwarmers (TEN) en thermostaat en thermoschakelsensoren zijn gemonteerd op een verwijderbare flens. TEN wordt gebruikt voor het verwarmen van water en wordt geregeld door een thermostaat, die een soepele temperatuurregeling tot $+ 65^{\circ}\text{C}$ heeft. Alle modellen worden elektronisch bediend. De elektronica handhaaft automatisch de watertemperatuur op het niveau dat door de gebruiker is ingesteld. De thermische schakelaar dient om het EB te beschermen tegen oververhitting en koppelt TEN los van het elektriciteitsnet wanneer de watertemperatuur hoger is dan $+ 95^{\circ}\text{C}$ (Figuur 3).

De veiligheidsklep (Figuur 1, punt 5) dient als terugstroomklep, waardoor wordt voorkomen dat het water uit de waterverwarmer het waterleidingnet binnendringt in geval van een daling van de druk in de laatstgenoemde en in gevallen van toename van de druk in de tank bij sterke waterverwarming evenals de functies van de veiligheidsklep, het ontlast de overdruk in de tank als het water sterk wordt verwarmd. Tijdens het gebruik van de boiler kan water uit de uitlaatpijp uitlaten lekken om overmatige druk te ontlasten, wat voor de veiligheid van de boiler gebeurt. Deze uitlaatpijp moet open blijven voor de atmosfeer en permanent worden omlaag geïnstalleerd in de niet-vriesomgeving.

Het is noodzakelijk om de afvoer van water uit de uitlaatpijp van de veiligheidsklep (Figuur 1, punt 14) naar het rioleringsysteem te waarborgen, met voldoende drainage voor de installatie van de EB (Figuur 1, punt 6).

Het is noodzakelijk om regelmatig (minimaal één keer per maand) een kleine hoeveelheid water via de afvoerpijp van de veiligheidsklep naar het rioleringsysteem

af te voeren om kalkhoudende afzettingen te verwijderen en de prestaties van de klep te testen. Om de klep te openen, is deze uitgerust met een hendel (Figuur 1, punt 15). Er moet voor worden gezorgd dat tijdens het gebruik van de EB deze hendel in een stand staat die het legen van water uit de tank afsluit.

AANWIJZINGEN VOOR VEILIGHEIDSMATREGELEN

De elektrische veiligheid van het EB is alleen gegarandeerd als er een effectieve aarding is uitgevoerd in overeenstemming met de huidige installatieregels voor elektrische installaties.

Sanitaire leidingen en afsluiters moeten voldoen aan de parameters van het waterleidingnetwerk en beschikken over de nodige kwaliteitscertificaten.

Bij het installeren en bedienen van de EB is het niet toegestaan:

- de voeding aansluiten als het EB niet met water is gevuld;
- de beschermkap verwijderen wanneer de stroom is ingeschakeld;
- EB gebruiken zonder aarding;
- EVN opnemen in het waterleidingnetwerk met een druk van meer dan 0,7MPa;
- de EB met de watertoevoer verbinden zonder veiligheidsklep;
- het water uit het EB laten lopen wanneer de stroom is ingeschakeld;
- reserveonderdelen gebruiken die niet door de fabrikant zijn aanbevolen;
- water uit de EB gebruiken om te koken;
- water gebruiken dat mechanische onzuiverheden bevat (zand, kleine stenen), wat kan leiden tot verstoring van de EB en de veiligheidsklep.
- de ontwerp- en installatiedimensies van de EB-beugels veranderen.

De omgevingtemperatuur waarin het EVN wordt gebruikt, moet tussen 3 ° C en 40 ° C zijn. Invriezen van water in het EVN bij negatieve temperaturen leidt tot uitval van EB, hetgeen geen garantiegeval is.



Kinderen moeten worden aangestuurd om ervoor te zorgen dat ze niet met het EB spelen. Het EB is niet bestemd voor gebruik door personen (inclusief kinderen) met beperkte fysieke, tactiele of psychische vermogens, evenals door personen die de EB niet kunnen gebruiken, behalve wanneer het wordt gemonitord of geïnstrueerd door personen die verantwoordelijk zijn voor de veiligheid van de EB.

INSTALLATIE EN AANSLUITING

Alle installatie-, loodgieterij- en elektrische werkzaamheden moeten worden uitgevoerd door gekwalificeerd personeel.

PLAATSING EN INSTALLATIE

De installatie van het EB wordt uitgevoerd in overeenstemming met de markering op de behuizing en de volgende tabel:

Markering	Plaatsing
IF 30 V (comfort) Wi-Fi	Verticale montage, aftakleidingen naar beneden;
IF 50 V (comfort) Wi-Fi	
IF 80 V (comfort) Wi-Fi	
IF 100 V (comfort) Wi-Fi	
IF 50 H (comfort) Wi-Fi	Horizontale montage, aftakkingen naar links
IF 80 H (comfort) Wi-Fi	

Het wordt aanbevolen om de EB zo dicht mogelijk bij de plaats waar heet water wordt gebruikt, te installeren om warmteverliezen in de leidingen te verminderen.

Bij het boren (uitvoeren van) gaten in de muur moet rekening worden gehouden met de kabels, kanalen en leidingen die er doorheen gaan. Bij het kiezen van de installatieplaats moet rekening worden gehouden met het totale gewicht van de EB gevuld met water. De muur en de vloer met een zwak draagvermogen moeten dienovereenkomstig worden versterkt.

EB wordt gehangen aan de beugels van de behuizing aan de haken van de ankers, bevestigd in de muur. De installatie van haken in de muur zou spontane bewegingen van de EB-beugels erover moeten voorkomen.

Voor het onderhoud van de EB moet de afstand van de beschermkap tot het dichtstbijzijnde oppervlak in de richting van de as van de verwijderbare flens minstens 30 centimeter bedragen - voor alle modellen;



Om te voorkomen dat het eigendom van de consument en (of) derden wordt geschaad in het geval van storingen in het warmwatervoorzieningssysteem, is het noodzakelijk om de EB te installeren in ruimten met afdichtingvloeren en afvoer naar het rioleringssysteem en in geen geval onder EB voorwerpen te plaatsen die vatbaar zijn voor effect van water. Wanneer de EB in een onbeschermde ruimte wordt geplaatst, is het noodzakelijk om een beschermende pallet onder de EB te installeren met afvoer in de riolering.

In het geval dat de EB wordt geplaatst op plaatsen die moeilijk toegankelijk zijn voor technische en garantieonderhoud (mezzanines, nissen, inter-plafondruimten, enz.),

wordt de ontmanteling en installatie van de EB door de klant zelfstandig uitgevoerd, of op zijn kosten.

Opmerking: de pallet is niet inbegrepen bij de levering van de EB.

AANSLUITING BIJ WATERLEIDINGSYSTEEM

Installeer de veiligheidsklep (Figuur 1, punt 5) bij de inlaat van koud water (Figuur 1, punt 3) gemarkeerd met een blauwe ring, draai hem 3,5 - 4 slagen, zorg voor een goede dichtheid met om het even welk afdichtingsmateriaal (vlas, FUM tape, enz.)

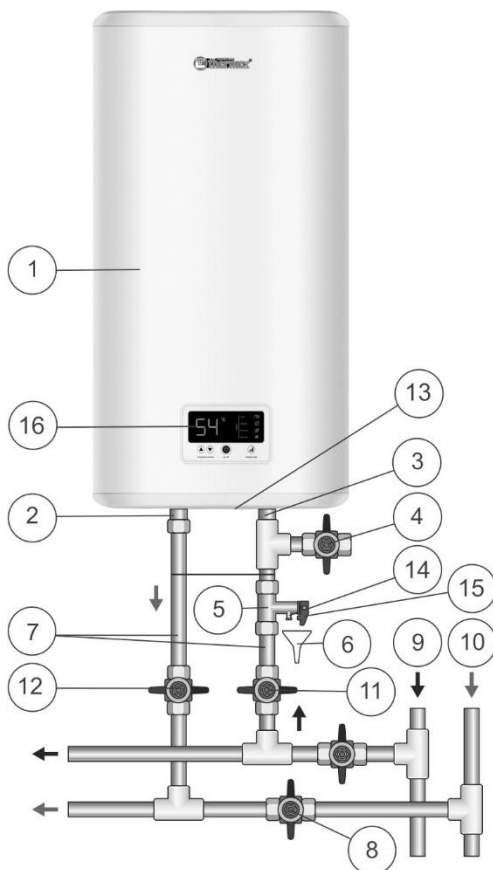


Het is verboden om de EB te gebruiken zonder veiligheidsklep of een klep van andere fabrikanten te gebruiken.

Tijdens de werking van de EB kunt u zien hoe de druppels van het afvoerkanal van de veiligheidsklep verschijnen (ontlasting van te hoge druk wanneer het water wordt verwarmd). Het wordt aanbevolen om een rubberen of siliconen nieuwe buis met de juiste diameter aan het drainagekanaal te bevestigen om vocht af te voeren.

De aansluiting op het watertoevoersysteem wordt gemaakt in overeenstemming met figuur 1, alleen met behulp van koperen, plastic of kunststof buizen, evenals speciaal flexibel sanitair. Het is verboden om een flexibele sanitair te gebruiken die vroeger werd gebruikt. Het wordt aanbevolen om water toe te voeren aan de EB via een modderfilter dat is geïnstalleerd op de koudwaterleiding (niet inbegrepen in de leveringsset).

Figuur 1. Schema van het aansluiten van de EB tot het watertoevoersysteem



Figuur 1: 1 – EB, 2 – heet water mondstuk, 3 – koud water mondstuk, 4 – afvoerklep, 5 – veiligheidsventiel, 6 – drainage naar de riolering, 7 – toevoer, 8 – sluit de klep tijdens het gebruik van de EB, 9 – koudwaterleiding, 10 – warmwaterleiding, 11 – koud water afsluitklep, 12 – warm water afsluitklep, 13 – beschermkap, 14 – uitlaatpijp van veiligheidsklep, 15 – handvat voor het openen van de veiligheidsklep, 16 – bedieningspaneel.

Open na het aansluiten de koudwatervoorzieningsklep (Figuur 1, punt 11) in de EB, de warmwaterkraan uit de EB (Figuur 1, punt 12) en de warmwaterkraan op de mixer om te zorgen voor luchtafvoer uit de boiler. Wanneer de EB met een continue straal uit de kraan van de mixer wordt volledig gevuld, stroomt koud water. Sluit de warmwaterkraan op de mixer af.

Bij aansluiting van de EB op plaatsen die niet zijn uitgerust met waterleidingen, is het toegestaan om water naar de EB te voeren vanuit een hulptank die zich op een

hoogte van niet minder dan 5 meter van de bovenkant van de EB bevindt, of met behulp van een pompstation.

Opmerking: om het onderhoud van de EB tijdens het gebruik te vergemakkelijken, wordt het aanbevolen om een afvoerklep (Figuur 1, punt 4) te installeren in overeenstemming met Figuur 1 (voor modellen die niet zijn uitgerust met een afvoerpijp (niet inbegrepen bij de levering van de EB)).

Als de druk in de waterleiding groter is dan 0,7 MPa, dan is het bij de inlaat voor de EB noodzakelijk om een reductieventiel te installeren (niet inbegrepen in de levering van de EB) om de waterdruk naar normaal te verlagen.

INSCHAKKELLEN VAN DE ELEKTRICITEIT



Voor het inschakelen van de elektriciteit zorg ervoor dat de EB is gevuld met water.

EB is voorzien van een netsnoer met een stekker.

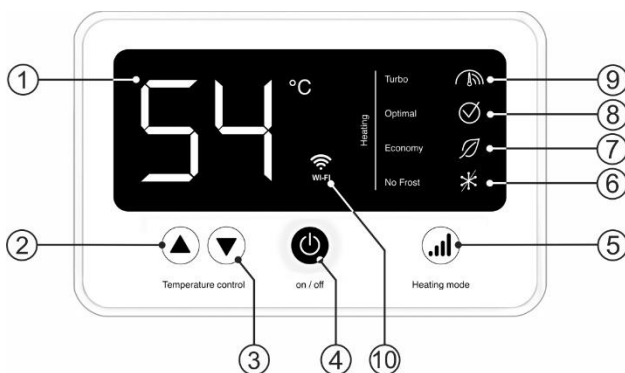
Het stopcontact moet een aardingsklem hebben en op een plaats worden geplaatst die tegen vochtigheid wordt beschermd.

Capaciteit van het toestel is 2000 Watt. Het stopcontact en de bedrading moeten geschikt zijn voor een nominaal vermogen van minstens 2000W.

Steek de stekker in het stopcontact.

EXPLOITATIE

Figuur 2. Elektronisch bedieningspaneel



Figuur 2: 1 – LCD scherm, 2 – knop «▲» Temperature control / verhoging van de verwarmingstemperatuur, 3 – knop «▼» Temperature control / daling van de verwarmingstemperatuur, 4 – knop «on/off» / aan/uit, 5 – knop «Heating mode» / verwarmingsvermogen instelling, 6 – modus knop «No Frost», 7 – knop «Economy» / minimaal vermogen, 8 – knop «Optimal» / standaard vermogen, 9 – knop «Turbo» / maximale vermogen, 10 – "Wi-Fi" - functie.

De elektrische boiler wordt in- / uitgeschakeld met de centrale knop op het bedieningspaneel «on/off» (Afb. 2, p.4), het display toont de ingestelde verwarmingstemperatuur. Na 2,5 seconden toont het display de huidige watertemperatuur in de elektrische boiler. Het verwarmingsvermogen wordt geselecteerd met de knop «Heating mode» (Afb. 2, p.5), op het bedieningspaneel. De 2 kW-modus gaat vergezeld van een indicatielampje «Turbo» (Afb. 2, p.9), de 1.3 kW-modus gaat vergezeld van een indicatielampje «Optimal» (Afb. 2, p.8), de 0.7 kW-modus gaat vergezeld van een indicatielampje «Economy» (Afb. 2, p.7).

Tijdens de werking van de elektrische boiler kan de consument de verwarmingstemperatuur met twee knoppen aanpassen «▲» «▼» Temperature control (Afb. 2, p.2 en p.3).

Voor bediening vanaf een mobiel apparaat heeft de boiler een Wi-Fi-functie.

1. Installeer de Thermex Home-app vanuit Google Play of AppStore. Account aanmaken.

2. Druk tegelijkertijd op de knoppen 2 en 3 op het bedieningspaneel (Afb. 2) en houd ze ingedrukt. Wi-Fi-indicatie verschijnt (Afb. 2, p. 10).

3. In de Thermex Home-app:

- klik op de knop "Apparaat toevoegen"
- selecteer "Waterverwarmer" in de lijst met apparaten
- volg daarna de instructies in de app.

Bij storingen:

- zorg ervoor dat de Wi-Fi-functie op uw mobiele apparaat is ingeschakeld,
- zorg ervoor dat er een internetverbinding is,
- neem contact op met uw provider.

TECHNISCH ONDERHOUD

Periodiek onderhoud en tijdige vervanging van de magnesiumanode zijn onmisbare voorwaarden voor het werk op de lange termijn van de EB. Het niet naleven van deze vereisten vormt de basis voor het verwijderen van de EB van de garantieservice. Onderhoud en vervanging van de magnesiumanode zijn niet inbegrepen in de fabrieksgarantie.

Tijdens onderhoud worden de toestand van de magnesiumanode en de aanwezigheid van aanslag op de TEN gecontroleerd. Tegelijkertijd wordt het sediment verwijderd, dat zich kan ophopen in het onderste deel van de EB.

De eerste vervanging van de magnesiumanode moet uiterlijk 12 maanden na de installatiedatum van het EB plaatsvinden. Bij het ontbreken van een markering over de installatie met het zegel van de installatieorganisatie op de garantiekaart, wordt de

periode gerekend vanaf de aankoopdatum. Periodiek onderhoud en jaarlijkse vervanging van de magnesumanode is noodzakelijk om de fabrieksgarantie te behouden. Vervanging van de anode moet vergezeld gaan van een merkteken op de garantietaal, in geval van vervanging door een serviceorganisatie, of een bijgevoegd aankoopbewijs, in geval van vervanging door de eigenaar.



Accumulatie van kalkaanslag op de TEN tijdens de exploitatie kan schade aan de TEN veroorzaken.

Opmerking: Schade aan verwarmingselementen als gevolg van de vorming van kalkaanslag valt niet onder de garantie. Regelmatig onderhoud is niet inbegrepen in de garantieverplichtingen van de fabrikant en de verkoper.

- Voor het uitvoeren van onderhoud, moet u het volgende doen:
- schakel de voeding naar de EB uit;
- laat het hete water afkoelen of gebruik het door een mixer;
- blokkeer de stroom van koud water naar de EB;
- draai de veiligheidsklep los of open de afvoerklep;
- plaats de rubberen slang op de koudwaterinlaat of de afvoerklep en laat het tweede uiteinde in de riolering lopen;
- open de warmwaterkraan op de mixer en tap het water uit de EB af via de slang in het riool;
- verwijder de beschermkap, ontkoppel de kabels, draai de steunflens los en verwijder hem uit de behuizing;
- Maak de TEN schoon van het aanslag indien nodig en verwijder het bezinksel uit de tank;
- Monteer, vul het EB met water en schakel de stroom in.

Bij modellen met een afvoerpijp is het voldoende om het koude water dat de EB binnendringt, te blokkeren, de plug van de afvoerpijp te verwijderen en de warmwaterkraan te openen. Nadat het water is samengevoegd, kunt u de toevoer van koud water een tijdje openen naar de EB voor extra reiniging van de tank.

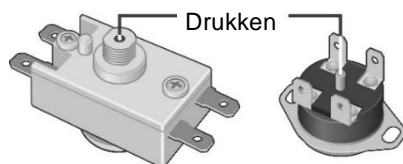
Bij het uitvoeren van technisch onderhoud van de EB door een gespecialiseerde organisatie, moet in de servicecoupon een overeenkomstige markering worden aangebracht.

MOGELIJKE STORINGEN EN MANIEREN DEZE AAN TE PAKKEN.

Storing	Mogelijke reden	Manier van aanpak
De druk van heet water uit de EB nam af. Koudwaterdruk bleef hetzelfde	Verstopping van de inlaat van de veiligheidsklep	Verwijder de klep en spoel hem in water
Verhoogde verwarmingstijd	TEN werd bedekt met een laag aanslag	Verwijder de flens en maak de TEN schoon
	De elektrische netspanning is afgenomen	Neem contact op met de betreffende service van elektrische bediening
Frequente werking van de thermische uitschakelknop	Ingestelde temperatuur ligt dicht bij de limiet	Verminder temperatuur met behulp van «Temperature»-knop
	De thermostaatbuis is bedekt met aanslag	Haal de steunflens uit EB en verwijder voorzichtig aanslag van de buis
EB werkt, maar verwarmt geen water	Ventiel (Figuur 1, punt 8) is niet afgesloten of is kapot	Sluit het ventiel af of vervang hem (Figuur 1, punt 8)
Ingeschakelde EB verwarmt geen water. Op het bedieningspaneel ontbreekt indicatie	1) er is geen spanning in elektrisch netwerk; 2) een netwerkkabel is beschadigd.	1) Controleer aanwezigheid van de stroom in het stopcontact; 2) Neem contact op met het gespecialiseerde service centrum.

De bovengenoemde storingen zijn geen gebreken van de EB en kunnen worden verbeterd door de gebruiker zelfstandig of op zijn rekening.

Figuur 3. Schema van de locatie van de thermische uitschakelknop



Transporteren en bewaring van elektrische boilers wordt gedaan in overeenstemming met de manipulatieve tekens op de verpakking:



— De noodzaak om de lading tegen vocht te beschermen



— Breekbaarheid van lading, voorwaarde van zorgvuldige behandeling



— Aanbevolen opslagtemperatuurbereik van lading: van +10°C tot +20°C



— Juiste verticale positie van vracht;

UTILISATIE

In overeenstemming met de regels voor installatie, bediening, onderhoud van de EB en de conformiteit van de kwaliteit van het gebruikte water met de huidige normen, bepaalt de producent de levensduur van de EB tot 9 jaar. Bij het afvoeren van de EB moeten de lokale milieuwetten en -aanbevelingen in acht worden genomen. De fabrikant behoudt zich het recht voor om wijzigingen aan te brengen in het ontwerp en de specificaties van de EB zonder voorafgaande kennisgeving.

GARANTIES VAN PRODUCENT

De producent stelt de garantieperiode voor de boiler 2 jaar vast.

De garantieperiode wordt berekend vanaf de verkoopdatum van de EB. Bij afwezigheid of correctie van de datum van verkoop en het stempel van de winkel, wordt de garantieperiode berekend vanaf de datum van uitgifte van de EB. De productiedatum van de boiler is gecodeerd in een uniek serienummer op het identificatieplaatje op de EB-behuizing. Het serienummer van de EB bestaat uit dertien cijfers. Het derde en vierde cijfer van het serienummer is het jaar van uitgifte, de vijfde en zesde is de maand van uitgave, de zevende en achtste zijn de dag van de release van de EB. Claims tijdens de garantieperiode worden geaccepteerd als deze handleiding beschikbaar is met de merken van de verkoper en het identificatieplaatje op de EB-behuizing.

De garantie is alleen van toepassing op de EB. Het uitvallen van de veiligheidsklep of het elektrische netsnoer zijn geen reden voor het vervangen van de EB. De verantwoordelijkheid voor de naleving van de installatie- en verbindingregels ligt bij de koper (in geval van zelfaansluiting) of bij de installatieorganisatie die de verbinding tot stand heeft gebracht.

De eerste vervanging van de magnesiumanode moet uiterlijk 12 maanden na de installatiedatum van het EB plaatsvinden. Bij het ontbreken van een markering over de installatie met het zegel van de installatieorganisatie op de garantiekaart, wordt de

periode gerekend vanaf de aankoopdatum. Periodiek onderhoud en jaarlijkse vervanging van de magnesiumanode is noodzakelijk om de fabrieksgarantie te behouden. Vervanging van de anode moet vergezeld gaan van een merkteken op de garantietaak, in geval van vervanging door een serviceorganisatie, of een bijgevoegd aankoopbewijs, in geval van vervanging door de eigenaar.

Bij het installeren en gebruiken van de EB moet de gebruiker voldoen aan de vereisten die zorgen voor een probleemloze werking van het apparaat tijdens de garantieperiode:

- de veiligheidsmaatregelen en regels voor installatie, aansluiting, bediening en onderhoud uitvoeren die in deze handleiding worden beschreven;
- mechanische schade door nalatige opslag, transport en installatie uitsluiten;
- bevriezing van water in de EB uitsluiten;
- voor verwarming in EB water zonder mechanische en chemische onzuiverheden gebruiken (zie artikel 5);
- de EB met een goed werkende veiligheidsklep uit de EB-afleverkit bedienen (zie artikel 5).

De producent is niet aansprakelijk voor eventuele tekortkomingen die het gevolg zijn van schending door de consument van de regels voor installatie, bediening en het onderhoud van de EB beschreven in deze handleiding, inclusief in gevallen waarin deze tekortkomingen zijn ontstaan door onaanvaardbare parameters van de netwerken (elektriciteit en watervoorziening) waarin de EB wordt geëxploiteerd en door tussenkomst van derden. Claims over het uiterlijk van de EB vallen niet onder de fabrieksgarantie.

Reparatie, vervanging van onderdelen en componenten binnen de garantieperiode verlengt de garantieperiode voor de EB als geheel niet. De garantieperiode voor vervangen of gerepareerde componenten is één maand.

INFORMATIE OVER DE PRODUCENT

Producent:

THERMEX heating Technology (Jiangmen) CO., Ltd

No. 51, Jianshedonglu, Taoyuan town, Heshan City, Guangdong Province, PRC



Alle modellen zijn gecertificeerd en voldoen aan de eisen van de Europese richtlijnen.

VERKOOPNOTA

Model _____ Serie nr _____

Verkoopdatum « _____ » _____ 20 _____

Firma-verkoper: _____

Handtekening van de vertegenwoordiger van
firma-verkoper _____



Het product is volledig geleverd, ik heb geen enkele aanspraak op het uiterlijk van het product. De handleiding met de nodige markeringen heb ik ontvangen, met de regels van de werking en de voorwaarden van de garantie ben ik bekend en ik ga ermee akkoord.

Handtekening van koper: _____



Avant la première utilisation du chauffe-eau électrique de stockage il est nécessaire de lire attentivement ce manuel d'utilisation

CHER CLIENT!

Félicitations pour votre achat du chauffe-eau électrique de stockage «**THERMEX**». Nous sommes sûrs que la gamme variée de nos chauffe-eaux satisfasse tous vos besoins. L'utilisation des technologies modernes et des matériaux de haute qualité pour la fabrication de nos appareils entraînent la popularité et la confiance de la marque de commerce **THERMEX**.

Le chauffe-eau est élaboré et fabriqué en parfaite conformité avec les normes nationales et internationales qui garantissent la crédibilité et la sécurité de fonctionnement.

Le présent manuel d'utilisation concerne les modèles **THERMEX** ci-après: IF (comfort) Wi-Fi. La dénomination complète de votre chauffe-eau est mentionnée dans le chapitre « Informations sur la vente » et sur la plaque d'identification sur le corps du chauffe-eau.

DESTINATION

Le chauffe-eau est destiné à la production de l'eau chaude dans les locaux sociaux et industriels équipés de tuyauterie d'approvisionnement en eau froide avec les paramètres nécessaires.

Le chauffe-eau doit être utilisé dans les locaux fermés chauffés et il n'est pas destiné à l'utilisation continue sous circulation.

Le chauffe-eau (ci-après – CHE) est destiné pour approvisionner de l'eau chaude des objets industriels et publics, ayant la canalisation d'eau froide avec la pression de 0,05 MPA minimum et 0,7 MPa maximum.

LOT DE LIVRAISON

1. Chauffe-eau	1 p.
2. Soupape de sûreté de type GP	1 p.
3. Manuel d'utilisation	1 p.
4. Emballage	1 p.
5. Cheville de fixation	1 lot

CARACTÉRISTIQUES TECHNIQUES PRINCIPALES

La tension d'alimentation de tous les types et modèles CHE doit être dans les limites de 230 V $\pm 10\%$. La fréquence du réseau électrique d'alimentation 50 Hz $\pm 1\%$. Le volume du réservoir intérieur et la puissance de l'élément chauffant sont indiqués dans le tableau d'identification sur le corps de l'appareil. Le diamètre du filet des tuyaux de raccord pour l'entrée et la sortie de l'eau – G1/2.

Le fabricant se réserve le droit de modifier la construction et les caractéristiques du chauffe-eau sans avis préalable.

Tableau 1

Marquage	Temps de chauffe moyenné à $\Delta T=45^{\circ}\text{C}$ avec la puissance de 2,0 kWt
IF 30 V (comfort) Wi-Fi	0 h. 39 min.
IF 50 V (comfort) Wi-Fi	1 h. 06 min.
IF 80 V (comfort) Wi-Fi	1 h. 45 min.
IF 100 V (comfort) Wi-Fi	2 h. 12 min.
IF 50 H (comfort) Wi-Fi	1 h. 06 min.
IF 80 H (comfort) Wi-Fi	1 h. 45 min.

DESCRIPTION ET MODE DE FONCTIONNEMENT DU CHAUFFE-EAU

Le corps extérieur de CHE est fabriqué en matériau plastique antichoc. Les réservoirs intérieurs ont le revêtement spécial en bio verre-porcelaine, protégeant fermement la surface intérieure contre la corrosion chimique. L'espace entre le corps extérieur et les réservoirs intérieurs est rempli avec de la mousse polyuréthane - isolement calorifique moderne, pure dans le sens écologique, ayant les meilleures caractéristiques pour conserver la chaleur. Les modèles donnés ont deux tuyaux de raccord à visse: pour faire entrer l'eau froide (Figure 1, point 3) avec l'anneau bleu, et pour faire sortir l'eau chaude (Figure 1, point 2) – avec l'anneau rouge. Sur le côté de face de CHE dans tous les modèles il y a le panneau de commande (Figure 1, point 16).

Sur la bride rapportée on a monté le radiateur de chauffage électrique tubulaire (CET) et les capteurs du thermostat et du thermocommutateur. CET sert pour chauffer l'eau et est commandé par le thermostat, ayant le réglage doux de température jusqu'à $+65^{\circ}\text{C}$. Tous les modèles sont commandés à l'aide du panneau électronique. L'équipement électronique entretient automatiquement la température de l'eau au niveau établi par l'utilisateur. Le thermocommutateur est destiné à la protection du chauffe-eau contre la surchauffe et à débrancher le chauffe-eau du réseau, si la température de l'eau dépasse 95°C . (Figure 3).

La soupape de sûreté accomplit les fonctions du clapet de non-retour en empêchant l'infiltration de l'eau du chauffe-eau au réseau de distribution en cas de chute de la pression dans le réseau et en cas d'augmentation de la pression dans le réservoir lors du chauffage, ainsi que les fonctions du clapet de protection en diminuant la pression dans le réservoir lors du chauffage. Lors du fonctionnement du chauffe-eau l'eau peut couler du tuyau d'échappement de la soupape de sûreté pour la décompression par mesure de sécurité. Ce tuyau d'échappement de la soupape de sûreté doit être ouvert et être installé vers le bas et dans l'environnement incongélable.

Il faut assurer l'évacuation de l'eau du tuyau d'échappement de la soupape de sûreté (Figure 1, point 14) vers la canalisation en prévoyant le drainage concerné lors du montage (Figure 1, point 6).

Il est indispensable de purger un peu d'eau régulièrement (une fois par mois au moins) à travers le tuyau d'échappement de la soupape de sûreté vers la canalisation pour éliminer les dépôts calcaires et pour vérifier la capacité de fonctionnement de la soupape. La soupape est équipée de poignée pour ouvrir (Figure 1, point 15). Il faut vérifier pour que cette poignée soit en position de fermeture du réservoir lors du chauffe-eau.

MESURES DE SÉCURITÉ

La sécurité électrique du chauffe-eau est garantie en cas de mise à la terre effective réalisée conformément aux règles de montage en vigueur des installations électriques.

Les tuyaux sanitaires et la robinetterie d'arrêt doivent être conformes aux paramètres du réseau de distribution de l'eau et avoir des certificats nécessaires.

Lors du montage et de l'utilisation du chauffe-eau il est interdit de:

- alimenter l'électricité, si le chauffe-eau n'est pas rempli avec de l'eau ;
- enlever le couvercle de protection en cas d'alimentation électrique branchée ;
- utiliser le chauffe-eau sans mise à la terre;
- connecter le chauffe-eau au réseau de distribution d'eau avec la pression de plus de 0,7 MPa;
- connecter le chauffe-eau au réseau de distribution d'eau soupape de sûreté;
- purger de l'eau du chauffe-eau en cas d'alimentation électrique branchée ;
- utiliser les pièces de rechange non recommandées par le fabricant ;
- utiliser l'eau du chauffe-eau pour préparer le repas ;
- utiliser l'eau avec des impuretés mécaniques (sable, petites pierres) qui peuvent dégrader le fonctionnement du chauffe-eau et de la soupape de sûreté
- modifier la construction et les dimensions des supports du chauffe-eau .

la température de l'environnement de l'utilisation du chauffe-eau doit être dans la limite de 3°C jusqu'à 40°C. La congélation de l'eau dans le chauffe-eau sous température négative entraîne son dysfonctionnement qui n'est pas couvert par la garantie



Les enfants ne doivent pas jouer avec le chauffe-eau. Le chauffe-eau n'est pas destiné à l'utilisation par les personnes (y compris enfants) dont les capacités physiques, sensibles ou psychiques sont réduites et par les personnes qui ne savent pas utiliser le chauffe-eau, sauf les cas de l'utilisation sous le contrôle ou selon les instructions des personnes responsables de la sécurité du chauffe-eau

INSTALLATION ET CONNEXION

Tous les travaux de montage, sanitaires et électromécaniques doivent être effectués par le personnel qualifié.

L'installation du chauffe-eau est effectuée conformément au marquage sur le corps et au tableau suivant :

Marquage	Placement
IF 30 V (comfort) Wi-Fi	Montage vertical ; tuyaux de raccord vers le bas ;
IF 50 V (comfort) Wi-Fi	
IF 80 V (comfort) Wi-Fi	
IF 100 V (comfort) Wi-Fi	
IF 50 H (comfort) Wi-Fi	Montage horizontal, tuyaux de raccord vers le gauche
IF 80 H (comfort) Wi-Fi	

Il est recommandé d'installer le chauffe-eau près du lieu de l'utilisation de l'eau chaude pour diminuer les pertes de la chaleur dans les tuyaux.

Lors du perçage des murs il faut prendre en considération les câbles, les canaux et les tuyaux. En choisissant le lieu du montage il faut prendre en considération le poids total du chauffe-eau rempli avec de l'eau. Il faut renforcer le mur et le plancher de capacité du chargement.

Le chauffe-eau est suspendu sur le support du corps à l'aide des chevilles fixées contre le mur. Le montage des crochets doit exclure le déplacement spontané des supports du chauffe-eau.

Pour l'entretien du chauffe-eau la distance entre le couvercle de protection et la surface la plus proche dans la direction de la flasque de serrage doit être de 30 centimètres.



Pour éviter les dommages aux biens de l'utilisateur et (ou) des tiers en cas des défauts du système de distribution de l'eau chaude, il faut monter le chauffe-eau dans les locaux avec l'isolation hydrofuge des planchers et le drainage dans la canalisation, il est interdit de placer les objets vulnérables par eau sous le chauffe-eau. En disposant le chauffe-eau dans les locaux non protégés il faut installer le plateau de protection sous le chauffe-eau (ne fait pas partie du lot de livraison du chauffe-eau) avec le drainage dans la canalisation.

En disposant le chauffe-eau dans les endroits non accessibles pour l'entretien technique et de garantie (entresols, niches, espaces de plafond etc), le consommateur effectue le montage et le démontage du chauffe-eau lui-même.

Remarque: le plateau de protection ne fait pas partie du lot de livraison de CHE.

CONNEXION AU RÉSEAU DE DISTRIBUTION DE L'EAU

Installer la soupape de sûreté (Figure 1, point 5) à l'entrée de l'eau froide (anneau bleu) de 3,5 - 4 tours, en assurant l'étanchéité de la connexion (lin, bande etc).



Il est interdit d'utiliser le chauffe-eau sans soupape de sûreté ou utiliser les soupapes de sûreté d'autres fabricants.

Pendant l'exploitation de CHE vous pouvez observer l'apparition des gouttes du bec draineur de la soupape de sécurité (décharge de la surpression au chauffage d'eau). Il est recommandé de connecter au bec draineur le tube en caoutchouc ou en silicone avec le diamètre correspondant pour évacuer l'eau.

La connexion au réseau de distribution de l'eau est effectuée conformément à la figure 1 à l'aide des tuyaux en cuivre, métaloplastique et plastique et des tuyaux flexibles sanitaires. Il est interdit d'utiliser les tuyaux flexibles usés. Il est recommandé d'amener l'eau dans CHE par le filtre collecteur de boue installé sur la conduite de l'eau froide (ne fait pas partie du lot de livraison).

Figure 1. Schéma de connexion de CHE à la canalisation d'eau

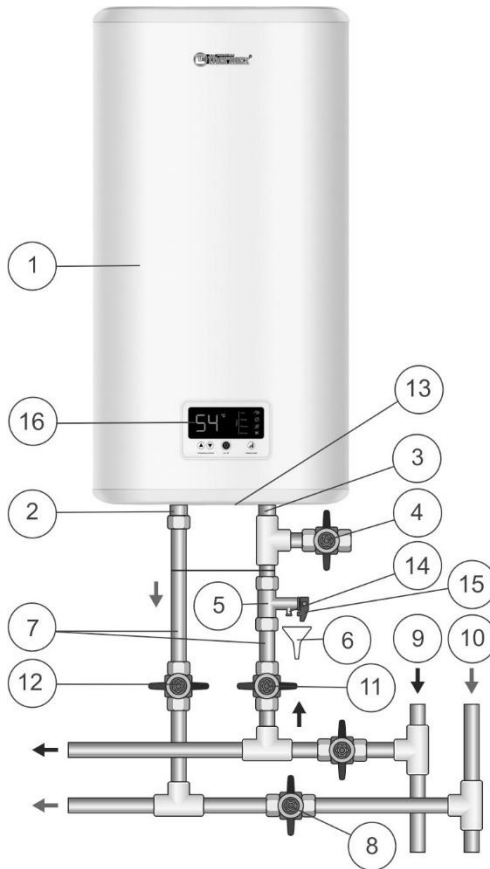


Figure 1: 1 – Chauffe-eau, 2 – Tuyau de connexion de l'eau chaude, 3 – Tuyau de connexion de l'eau froide, 4 – Soupape de purge, 5 – Soupape de sûreté, 6 – Drainage aux égoûts, 7 – Tuyauterie d'amenée, 8 – Fermer le robinet d'arrêt pendant l'exploitation du chauffe-eau, 9 – Tuyauterie d'approvisionnement en eau froide, 10 – Tuyauterie d'approvisionnement en eau chaude, 11 – Robinet d'arrêt de l'amenée de l'eau froide, 12 – Robinet d'arrêt de l'amenée de l'eau chaude, 13 – Couvercle de protection, 14 – tuyau d'échappement de la soupape de sécurité, 15 – manche pour ouvrir la soupape de sécurité, 16 – panneau de commande.

Après la connexion ouvrez le robinet d'amenée de l'eau froide воды (Figure 1, point 11) dans le chauffe-eau, le robinet de sortie de l'eau chaude du chauffe-eau (Figure 1, point 12) et le robinet de l'eau chaude du mélangeur pour assurer l'évacuation de l'air du chauffe-eau. Quand le chauffe-eau aura été rempli, l'eau coulera du robinet. Fermez le robinet de l'eau chaude du mélangeur.

Lors de l'installation du chauffe-eau dans les endroits sans réseau de distribution de l'eau il est admis d'amener l'eau du réservoir complémentaire en utilisant la station de pompage ou du réservoir situé à la hauteur de 5 m au moins du point le plus haut du chauffe-eau.

Attention: Pour faciliter le service du chauffe-eau pendant l'opération il est recommandé d'installer la soupape de purge (Рисунок 1, пункт 4) conformément au dessin 1 (pour les modèles non équipés par le tuyau de raccord d'évacuation (ne fait pas partie du lot de livraison de CHE)).

Si la pression dans le réseau de distribution de l'eau dépasse 0.7 MPa, il faut installer la soupape concernée (ne fait pas partie du lot de livraison de CHE) de réduction de la pression de l'eau froide jusqu'à la norme à l'entrée de l'eau froide dans le chauffe-eau avant la soupape de sûreté.

CONNEXION AU RÉSEAU ÉLECTRIQUE



Avant de brancher l'alimentation électrique assurez que le chauffe-eau est rempli avec de l'eau.

Le chauffe-eau est équipé de câble du réseau avec la fiche.

La prise électrique doit avoir le contact de mise à la terre et être disposée dans un endroit protégé contre l'infiltration de l'eau

La puissance de l'appareil fait 2000 Wt. La prise de courant et le câblage électrique y connecté doivent être désignés pour la puissance nominale de 2000 Wt au moins.

Faire glisser la fourchette dans la prise de courant.

OPÉRATION

Figure 2. Panneau électronique de commande

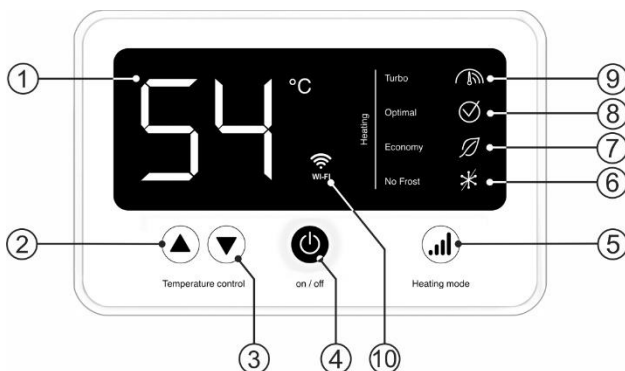


Figure 2: 1 – Écran LCD, 2 – le bouton «▲» Temperature control/ augmentation de la température de chauffage, 3 – le bouton «▼» Temperature control / réduction de la température de chauffage, 4 – le bouton «on/off» / activation/désactivation, 5 – le bouton «Heating mode» / installation de la puissance de chauffage, 6 – le bouton de mode «No Frost», 7 – le bouton «Economy» / puissance minimale, 8 – le bouton «Optimal» / puissance standard, 9 – le bouton «Turbo» / puissance maximale, 10 – "Wi-Fi".

Le chauffe-eau électrique est activé/éteint par le bouton central «on/off» du panneau de contrôle (Fig. 2, p.4), cela affiche une température de chauffage définie sur l'écran. Après 2,5 secondes, la température actuelle de l'eau dans le chauffe-eau électrique est affichée sur l'écran.. Le choix de la puissance de chauffage est effectué par le bouton «Heating mode» (Fig. 2, p.5), dans le panneau de contrôle. 2 kW mode accompagné d'une indication de la lampe de contrôle «Turbo» (Fig. 2, p.9), 1,3 kW mode accompagné d'une indication de la lampe de contrôle «Optimal» (Fig. 2, p.8), 0,7 kW mode accompagné d'une indication de la lampe de contrôle «Economy» (Fig. 2, p.7).

Lors de l'utilisation du chauffe-eau électrique, le consommateur peut ajuster la température de chauffage à l'aide de deux touches «▲» «▼» Temperature control (Fig. 2, p.2 et p.3).

Si vous n'utilisez pas CHE pendant la période d'hiver et il existe la possibilité de congélation des conduites d'eau, il est recommandé de déconnecter l'alimentation et évacuer l'eau de CHE pour éviter l'endommagement du réservoir intérieur.

Pour le contrôle depuis un appareil mobile, le chauffe-eau dispose d'une fonction Wi-Fi.

1. Installez l'application Thermex Home depuis Google Play ou AppStore. Créer un compte.

2. Appuyez simultanément sur les boutons 2 et 3 du panneau de chauffage et maintenez-les enfoncés (Fig. 2). L'indication Wi-Fi apparaît (Fig. 2, p. 10).

3. Dans l'application Thermex Home:

- cliquez sur le bouton "Ajouter un appareil"
- sélectionnez "Chauffe-eau" dans la liste des appareils
- puis suivez les instructions de l'application.

Lorsque des échecs surviennent:

- assurez-vous que la fonction Wi-Fi est activée sur votre appareil mobile,
- assurez-vous qu'il existe une connexion Internet,
- contactez votre fournisseur.

ENTRETIEN

L'entretien et le remplacement de l'anode en magnésium sont les conditions obligatoires pour le fonctionnement de longue durée du chauffe-eau. Le non-respect de ces conditions est le motif de refus de garantie. L'entretien et le remplacement de l'anode en magnésium sont effectués une fois par an au moins et ne sont pas couverts de garantie du fabricant et du vendeur.

Lors de l'entretien il faut vérifier l'état de l'anode en magnésium et la présence de dépôts sur le chauffe-eau tubulaire. En même temps les dépôts dans la partie basse du chauffe-eau sont éliminés.

Le premier remplacement de l'anode en magnésium doit être effectué au plus tard 12 mois à compter de la date d'installation de CHE. En l'absence de marque sur l'installation avec le sceau de l'organisation d'installation dans la carte de garantie, la période est calculée à partir de la date d'achat. Un entretien périodique et un remplacement annuel de l'anode en magnésium sont impératifs pour maintenir la garantie du fabricant. Le remplacement de l'anode doit être accompagné d'une marque sur la carte de garantie, en cas de remplacement par un organisme de service, ou d'un reçu d'achat joint, en cas de remplacement par le propriétaire.



La formation des dépôts sur le chauffe-eau tubulaire peut entraîner sa détérioration.

NOTE : La détérioration du chauffe-eau tubulaire à cause des dépôts n'est pas couverte par la garantie. L'entretien régulier ne fait pas partie des obligations contractuelles du fabricant et du vendeur.

Pour l'entretien il faut effectuer les opérations suivantes ::

- Débrancher l'alimentation électrique du chauffe-eau.;
- Laisser refroidir l'eau chaude ou purger à travers le mélangeur.;
- Fermer l'amenée de l'eau froide dans le chauffe-eau.;
- Dévisser la soupape de sûreté ou ouvrir la soupape de purge.;
- Connecter le tuyau en caoutchouc au tuyau d'amenée de l'eau froide, diriger le deuxième bout dans la canalisation.;
- Ouvrir le robinet de l'eau chaude du mélangeur et purger l'eau du chauffe-eau à travers le tuyau dans la canalisation.;
- Enlever le couvercle, débrancher les fils, dévisser et retirer la bride de fixation du corps.;
- Nettoyer si nécessaire le chauffe-eau tubulaire et éliminer les dépôts du réservoir.;
- Faire le montage, remplir le chauffe-eau avec de l'eau et brancher l'alimentation.

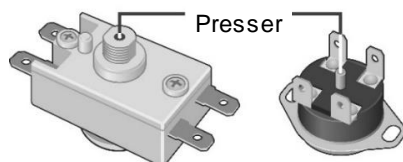
Dans les modèles équipés du tuyau draineur il suffit d'arrêter l'amenée de l'eau froide dans CHE, dévisser le bouchon sur le tuyau draineur et ouvrir le robinet de l'eau chaude. Quand l'eau sera évacuée vous pouvez ouvrir l'amenée de l'eau froide à CHE pour quelque temps pour réaliser le lavage supplémentaire du réservoir.

Lors de l'entretien du chauffe-eau par le service spécialisé le personnel fait l'inscription concernée dans le bon de service.

Défaillance	Cause possible	Méthode de l'élimination
Diminution de la pression d'eau dans le chauffe-eau La pression d'eau est conservée	Obstruction de l'orifice d'aspiration de la soupape de sûreté	Enlevez la soupape et la lavez à l'eau
Augmentation du temps de chauffage	Couche des dépôts dans le chauffe-eau tubulaire	Démontez la flasque de serrage et nettoyez le chauffe-eau de calcin
	Diminution de la tension du réseau	Appelez au service d'exploitation du réseau électrique
Déclenchement fréquent du thermocommutateur	La température établie est près de la température limite	A l'aide du bouton «Temperature» réduire la température
	Le tube du dispositif de régulation thermostatique a des traces de dépôts	Sortir de CHE la bride d'appui et nettoyer soigneusement le tuyau de la crasse.
CHE marche mais ne chauffe pas l'eau	Le robinet (Figure 1, point 8) n'est pas fermé ou est en panne.	Fermer ou remplacer le robinet (Figure 1, point 8)
Le chauffe-eau branché au réseau électrique ne chauffe pas l'eau. Il n'y a pas d'affichage sur le panneau de commande	1) il n'y a pas de tension dans le réseau électrique; 2) le fil de réseau est endommagé.	1) Contrôlez la présence de la tension dans la prise de courant électrique; 2) Adressez-vous au centre de service spécialisé.

Les défaillances mentionnées ne sont pas les défauts du chauffe-eau et elles sont éliminées par l'utilisateur ou par les services spécialisés pour le compte de l'utilisateur.

Figure 3. Schéma de placement du bouton de thermocommutateur



TRANSPORT ET STOCKAGE DES CHAUFFE-EAUX ELECTRIQUES

Transport et stockage des chauffe-eaux électriques se réalisent en conformité des symboles de manipulation sur l'emballage:



— Nécessité de protéger le produit contre l'humidité



— Fragilité du produit, condition de manipulation prudente



— Gamme de température recommandée pour le stockage des produits: de +10°C à +20°C



— Position verticale régulière du produit;

RÉCUPÉRATION

En cas de respect des règles de l'utilisation, de l'installation et de l'entretien du chauffe-eau et de conformité de la qualité de l'eau utilisée aux normes en vigueur, le fabricant établit le délai de service de 9 ans dès l'achat du chauffe-eau. Pendant l'utilisation de CHE il est nécessaire de respecter les lois écologiques locales et les recommandations. Le fabricant se réserve le droit de modifier la construction et les caractéristiques du chauffe-eau sans avis préalable.

GARANTIES DU FABRICANT

Le fabricant établit le délai de garantie du chauffe-eau de 2 ans.

Le délai de garantie est calculé à partir de la date de vente du chauffe-eau. En cas d'absence ou de correction de la date de vente et du cachet du magasin, le délai de garantie est calculé à partir de la date du chauffe-eau. Date de fabrication du chauffe-eau est chiffré dans le numéro de série original sur la plaque d'identification de la couvercle du corps du chauffe-eau. Le numéro de série du chauffe-eau se compose de treize chiffres. Le troisième et le quatrième chiffre du numéro de série est l'année de fabrication, le cinquième et le sixième — le mois de fabrication, le septième et le huitième — le jour de fabrication du chauffe-eau. Toutes les réclamations pendant la période de garantie sont acceptées sous réserve de présentation ce manuel d'utilisation avec les marques de la firme productrice et la plaque d'identification sur le corps du chauffe-eau.

La garantie ne couvre que le chauffe-eau. La panne de la soupape de sécurité ou bien du fil d'alimentation ne donnent pas droit au remplacement de CHE. L'acheteur (en cas de connexion par l'utilisateur) ou le service de montage sont responsables du respect des règles de l'installation et de la connexion.

Le premier remplacement de l'anode en magnésium doit être effectué au plus tard 12 mois à compter de la date d'installation de CHE. En l'absence de marque sur

l'installation avec le sceau de l'organisation d'installation dans la carte de garantie, la période est calculée à partir de la date d'achat. Un entretien périodique et un remplacement annuel de l'anode en magnésium sont impératifs pour maintenir la garantie du fabricant. Le remplacement de l'anode doit être accompagné d'une marque sur la carte de garantie, en cas de remplacement par un organisme de service, ou d'un reçu d'achat joint, en cas de remplacement par le propriétaire.

Lors de l'installation et de l'utilisation du chauffe-eau l'utilisateur est obligé de respecter les exigences assurant le travail sans panne pendant la durée de garantie :

- effectuer les mesures de sécurité et les règles de l'installation, de la connexion, de l'utilisation et l'entretien mentionnés dans le présent manuel;
- exclure les détériorations mécaniques lors du stockage, du transport et du montage;
- exclure les détériorations de l'appareil suite à congélation de l'eau dedans;
- utiliser pour le chauffage l'eau sans additions mécaniques et chimiques (à voir le paragraphe 5).
- utiliser le chauffe-eau avec la soupape de sûreté en bon état du lot de la livraison du chauffe-eau (à voir le paragraphe 5).

Le fabricant n'est pas responsable des défauts à cause de la violation par le consommateur des règles de l'utilisation, de l'installation et de l'entretien du chauffe-eau mentionnées dans le présent manuel (y compris à cause des paramètres inadmissibles du réseau électrique et de distribution de l'eau) et à cause de l'intervention des tiers. Les réclamations de l'aspect général du chauffe-eau ne sont pas couvertes par la garantie.

La réparation et le remplacement des composants pendant le délai de garantie ne prolonge pas la durée de garantie en général. Le délai de garantie des composants réparés ou remplacés est d'un mois..

FABRICANT

Fabricant:

THERMEX heating Technology (Jiangmen) CO., Ltd

No. 51, Jianshedonglu, Taoyuan town, Heshan City, Guangdong Province, PRC




Tous les modèles sont certifiés et sont conformes aux dispositions du Règlement technique de l'Union douanière.

MARQUE DE VENTE

Modèle _____ N° de série _____

Date de vente « _____ » _____ 20 _____ r.

Firme productrice: _____

Signature de l'agent
de la firme productrice _____Sceau de la firme
productrice

Le produit est complété, je n'ai aucune prétention par rapport à l'apparence du produit. Le manuel d'utilisation aux marques nécessaires reçu, les règles d'exploitation et les conditions de garantie lus et approuvés.

Signature du Client: _____



WARRANTY CERTIFICATE 1 / ГАРАНТИЙНЫЙ ТАЛОН 1 /

TALÓN DE GARANTÍA 1 / TAGLIANDO DI GARANZIA 1 /

GARANTIJAS TALONS 1 / GARANTINIS TALONAS 1 / GARANTIITALONG 1 /

GARANTIEZETTEL 1 / GARANTIEKAART 1 / BON DE GARANTIE 1

Model / Модель / Modelo / Modello / Modelis / Modelis / Mudel / Ausführung / Model / Modèle		Dealer's seal / Печать фирмы продавца / Sello de la empresa-vendedor / Timbro del venditore / Pārdevēja zīmogs / Įmonės pardavėjos antspaudas / Müüjafirma pitser / Siegel des verkäufers / Stempel van firma verkoper / Sceau de la firme productrice
Serial No. / Серийный номер / Número de serie / Numero di matricola / Sērijas numurs / Serijinis Nr. / Seerianumber / Serie / Serienr / Numéro de série		
Date of sale / Дата продажи / Fecha de venta / Data di vendita / Pārdošanas datums / Pardavimo data / Müügi kuupäev / Verkaufsdatum / Verkoopdatum / Date de vente		
Dealer / Фирма продавец / Pārdevējs / Empresa-vendedor / Venditore / Pardavėjas / Müügifirma / Verkäufer / Firma verkoper / Firma productrice		

To be filled by the dealer / Заполняется фирмой продавцом / Reservato al venditore / Timbro del venditore / Aizpilda pārdevējs / Pildo įmonė pardavėja / Täidab müüjafirma / Wird von demverkäufer ausgefüllt / Wordt ingevuld door firma-verkoper / À remplir uniquement par la firme productrice



WARRANTY CERTIFICATE 2 / ГАРАНТИЙНЫЙ ТАЛОН 2 /

TALÓN DE GARANTÍA 2 / TAGLIANDO DI GARANZIA 2 /

GARANTIJAS TALONS 2 / GARANTINIS TALONAS 2 / GARANTIITALONG 2 /

GARANTIEZETTEL 2 / GARANTIEKAART 2 / BON DE GARANTIE 2

Model / Модель / Modelo / Modello / Modelis / Modelis / Mudel / Ausführung / Model / Modèle		Dealer's seal / Печать фирмы продавца / Sello de la empresa-vendedor / Timbro del venditore / Pārdevēja zīmogs / Įmonės pardavėjos antspaudas / Müüjafirma pitser / Siegel des verkäufers / Stempel van firma verkoper / Sceau de la firme productrice
Serial No. / Серийный номер / Número de serie / Numero di matricola / Sērijas numurs / Serijinis Nr. / Seerianumber / Serie / Serienr / Numéro de série		
Date of sale / Дата продажи / Fecha de venta / Data di vendita / Pārdošanas datums / Pardavimo data / Müügi kuupäev / Verkaufsdatum / Verkoopdatum / Date de vente		
Dealer / Фирма продавец / Pārdevējs / Empresa-vendedor / Venditore / Pardavėjas / Müügifirma / Verkäufer / Firma verkoper / Firma productrice		

To be filled by the dealer / Заполняется фирмой продавцом / Reservato al venditore / Timbro del venditore / Aizpilda pārdevējs / Pildo įmonė pardavėja / Täidab müüjafirma / Wird von demverkäufer ausgefüllt / Wordt ingevuld door firma-verkoper / À remplir uniquement par la firme productrice

Date of acceptance / Дата приема / Fecha de la recepción / Data di ricezione / Saņemšanas datums / Priēmimo data / Vastuvõtu kuupäev / Aufnahmedatum / Datum van ontvangst / Date d'acceptance		Stamp of service center / Печать сервисного центра / Sello del centro de asistencia técnica / Timbro del centro di assistenza / Servisa centra zīmogs / Aptarnavimo centro antspaudas / Teeninduskeskuse pitser / Siegel des servicebetriebs / Stempel van servicecentrum / Sceau du service client
Issue date / Дата выдачи / Fecha de la expedición / Data do consegna / Izniegšanas datums / Išdavimo data / Väljaandmise kuupäev / Ausgabedatum / Datum van uitgifte / Date de délivrance		
Defect / Дефект / Defecto / Difetto / Defekts / Defektas / Rike / Defekt / Gebrek / Défaut		
Executed work / Выполненная работа / Trabajo cumplido / Lavori eseguiti / Izpildītais darbs / Aizīdīti darbi / Tehtud töö / Durchgeführte Arbeiten / Gedane werkzaamheden / Travail produit		
Expert (full name) / Специалист (имя) / Contraamestre (nombres y apellidos) / Tecnico / Meistars / Meistras / Spetsialist (nimi) / Fachspezialist (name) Vakkundige (naam) / Réparateur (nom, prénom)		

Filled in by service center / Заполняется сервисным центром / Se complementa por el centro de asistencia técnica / Reservato al centro di assistenza / Aizpilda servisa centrs / Pildo aptarnavimo centras / Täidab teeninduskeskus / Wird von dem Servicebetrieb ausgefüllt / Wordt ingevuld door het servicecentrum / À remplir uniquement par le service client

Date of acceptance / Дата приема / Fecha de la recepción / Data di ricezione / Saņemšanas datums / Priēmimo data / Vastuvõtu kuupäev / Aufnahmedatum / Datum van ontvangst / Date d'acceptance		Stamp of service center / Печать сервисного центра / Sello del centro de asistencia técnica / Timbro del centro di assistenza / Servisa centra zīmogs / Aptarnavimo centro antspaudas / Teeninduskeskuse pitser / Siegel des servicebetriebs / Stempel van servicecentrum / Sceau du service client
Issue date / Дата выдачи / Fecha de la expedición / Data do consegna / Izniegšanas datums / Išdavimo data / Väljaandmise kuupäev / Ausgabedatum / Datum van uitgifte / Date de délivrance		
Defect / Дефект / Defecto / Difetto / Defekts / Defektas / Rike / Defekt / Gebrek / Défaut		
Executed work / Выполненная работа / Trabajo cumplido / Lavori eseguiti / Izpildītais darbs / Aizīdīti darbi / Tehtud töö / Durchgeführte Arbeiten / Gedane werkzaamheden / Travail produit		
Expert (full name) / Специалист (имя) / Contraamestre (nombres y apellidos) / Tecnico / Meistars / Meistras / Spetsialist (nimi) / Fachspezialist (name) Vakkundige (naam) / Réparateur (nom, prénom)		

Filled in by service center / Заполняется сервисным центром / Se complementa por el centro de asistencia técnica / Reservato al centro di assistenza / Aizpilda servisa centrs / Pildo aptarnavimo centras / Täidab teeninduskeskus / Wird von dem Servicebetrieb ausgefüllt / Wordt ingevuld door het servicecentrum / À remplir uniquement par le service client



WARRANTY CERTIFICATE 3 / ГАРАНТИЙНЫЙ ТАЛОН 3 /

TALÓN DE GARANTÍA 3 / TAGLIANDO DI GARANZIA 3 /

GARANTIJAS TALONS 3 / GARANTINIS TALONAS 3 / GARANTIITALONG 3 /

GARANTIEZETTEL 3 / GARANTIEKAART 3 / BON DE GARANTIE 3

Model / Модель / Modelo / Modello / Modelis / Modelis / Mudel / Ausführung / Model / Modèle		Dealer's seal / Печать фирмы продавца / Sello de la empresa-vendedor / Timbro del venditore / Pārdevēja zīmogs / Įmonės pardavėjos antspaudas / Müüjafirma pitser / Siegel des verkäufers / Stempel van firma verkoper / Sceau de la firme productrice
Serial No. / Серийный номер / Número de serie / Numero di matricola / Sērijas numurs / Serijinis Nr. / Seerianumber / Serie / Serienr / Numéro de série		
Date of sale / Дата продажи / Fecha de venta / Data di vendita / Pārdošanas datums / Pardavimo data / Müügi kuupäev / Verkaufsdatum / Verkoopdatum / Date de vente		
Dealer / Фирма продавец / Pārdevējs / Empresa-vendedor / Venditore / Pardavėjas / Müügifirma / Verkäufer / Firma verkoper / Firma productrice		

To be filled by the dealer / Заполняется фирмой продавцом / Reservato al venditore / Timbro del venditore / Aizpilda pārdevējs / Pildo įmonė pardavėja / Täidab müüjafirma / Wird von dem verkäufer ausgefüllt / Wordt ingevuld door firma-verkoper / À remplir uniquement par la firme productrice



WARRANTY CERTIFICATE 4 / ГАРАНТИЙНЫЙ ТАЛОН 4 /

TALÓN DE GARANTÍA 4 / TAGLIANDO DI GARANZIA 4 /

GARANTIJAS TALONS 4 / GARANTINIS TALONAS 4 / GARANTIITALONG 4 /

GARANTIEZETTEL 4 / GARANTIEKAART 4 / BON DE GARANTIE 4

Model / Модель / Modelo / Modello / Modelis / Modelis / Mudel / Ausführung / Model / Modèle		Dealer's seal / Печать фирмы продавца / Sello de la empresa-vendedor / Timbro del venditore / Pārdevēja zīmogs / Įmonės pardavėjos antspaudas / Müüjafirma pitser / Siegel des verkäufers / Stempel van firma verkoper / Sceau de la firme productrice
Serial No. / Серийный номер / Número de serie / Numero di matricola / Sērijas numurs / Serijinis Nr. / Seerianumber / Serie / Serienr / Numéro de série		
Date of sale / Дата продажи / Fecha de venta / Data di vendita / Pārdošanas datums / Pardavimo data / Müügi kuupäev / Verkaufsdatum / Verkoopdatum / Date de vente		
Dealer / Фирма продавец / Pārdevējs / Empresa-vendedor / Venditore / Pardavėjas / Müügifirma / Verkäufer / Firma verkoper / Firma productrice		

To be filled by the dealer / Заполняется фирмой продавцом / Reservato al venditore / Timbro del venditore / Aizpilda pārdevējs / Pildo įmonė pardavėja / Täidab müüjafirma / Wird von dem verkäufer ausgefüllt / Wordt ingevuld door firma-verkoper / À remplir uniquement par la firme productrice

Date of acceptance / Дата приема / Fecha de la recepción / Data di ricezione / Saņemšanas datums / Priēmimo data / Vastuvõtu kuupäev / Aufnahmedatum / Datum van ontvangst / Date d'acceptance		Stamp of service center / Печать сервисного центра / Sello del centro de asistencia técnica / Timbro del centro di assistenza / Servisa centra zīmogs / Aptarnavimo centro antspaudas / Teeninduskeskuse pitser / Siegel des servicebetriebs / Stempel van servicecentrum / Sceau du service client
Issue date / Дата выдачи / Fecha de la expedición / Data do consegna / Izniegšanas datums / Išdavimo data / Väljaandmise kuupäev / Ausgabedatum / Datum van uitgifte / Date de délivrance		
Defect / Дефект / Defecto / Difetto / Defekts / Defektas / Rike / Defekt / Gebrek / Défaut		
Executed work / Выполненная работа / Trabajo cumplido / Lavori eseguiti / Izpildītais darbs / Aizīdīti darbi / Tehtud töö / Durchgeführte Arbeiten / Gedane werkzaamheden / Travail produit		
Expert (full name) / Специалист (имя) / Contraamaestre (nombres y apellidos) / Tecnico / Meistars / Meistras / Spetsialist (nimi) / Fachspezialist (name) Vakkundige (naam) / Réparateur (nom, prénom)		

Filled in by service center / Заполняется сервисным центром / Se complementa por el centro de asistencia técnica / Reservato al centro di assistenza / Aizpilda servisa centrs / Pildo aptarnavimo centras / Täidab teeninduskeskus / Wird von dem Servicebetrieb ausgefüllt / Wordt ingevuld door het servicecentrum / À remplir uniquement par le service client

Date of acceptance / Дата приема / Fecha de la recepción / Data di ricezione / Saņemšanas datums / Priēmimo data / Vastuvõtu kuupäev / Aufnahmedatum / Datum van ontvangst / Date d'acceptance		Stamp of service center / Печать сервисного центра / Sello del centro de asistencia técnica / Timbro del centro di assistenza / Servisa centra zīmogs / Aptarnavimo centro antspaudas / Teeninduskeskuse pitser / Siegel des servicebetriebs / Stempel van servicecentrum / Sceau du service client
Issue date / Дата выдачи / Fecha de la expedición / Data do consegna / Izniegšanas datums / Išdavimo data / Väljaandmise kuupäev / Ausgabedatum / Datum van uitgifte / Date de délivrance		
Defect / Дефект / Defecto / Difetto / Defekts / Defektas / Rike / Defekt / Gebrek / Défaut		
Executed work / Выполненная работа / Trabajo cumplido / Lavori eseguiti / Izpildītais darbs / Aizīdīti darbi / Tehtud töö / Durchgeführte Arbeiten / Gedane werkzaamheden / Travail produit		
Expert (full name) / Специалист (имя) / Contraamaestre (nombres y apellidos) / Tecnico / Meistars / Meistras / Spetsialist (nimi) / Fachspezialist (name) Vakkundige (naam) / Réparateur (nom, prénom)		

Filled in by service center / Заполняется сервисным центром / Se complementa por el centro de asistencia técnica / Reservato al centro di assistenza / Aizpilda servisa centrs / Pildo aptarnavimo centras / Täidab teeninduskeskus / Wird von dem Servicebetrieb ausgefüllt / Wordt ingevuld door het servicecentrum / À remplir uniquement par le service client